

# EXTRACTION RATE SCALE

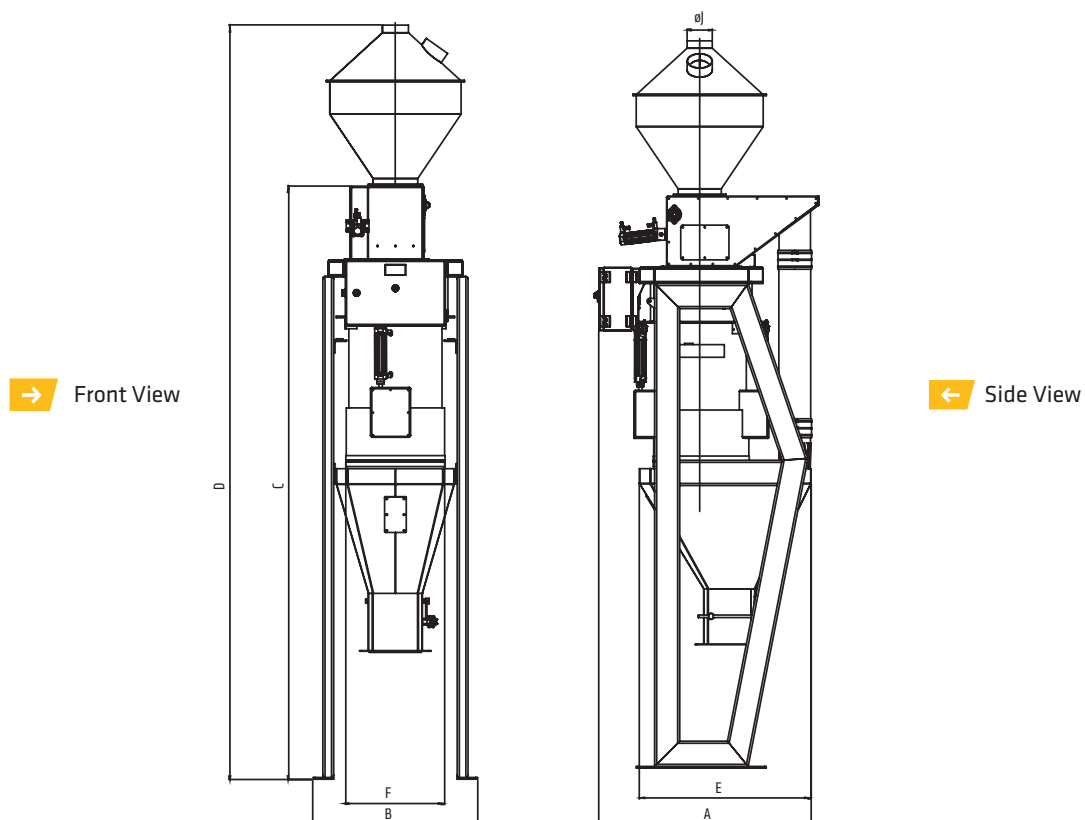
HSDURA-HSDKRA-HSKBTA

## Features & Advantages

Extraction scales are designed to measure continuous material throughput rate and weight for granular or powdered products. HSDURA, HSDKRA and HSKBTA are designed to use for flour, bran and wheat, respectively. The scales can also be used in different stages of the production cycle by displacing them accordingly. This enables to collect data at raw material input, process output etc. by PLC connection, then this data can be analysed to determine the extraction rate for milling plants.

- Low maintenance requirement
- Tolerance error warning alarm
- PLC connection compatibility
- Robust and leakproof structure
- Max. hygiene





### Dimensions (mm)

| Model      | A    | B   | C    | D    | E    | F   | øj  |
|------------|------|-----|------|------|------|-----|-----|
| HSKBTA 24  | 900  | 615 | 1880 | 2430 | 630  | 330 | 120 |
| HSDURA 24  |      |     |      |      |      |     |     |
| HSDKRA 24  |      |     |      |      |      |     |     |
| HSKBTA 60  | 1087 | 762 | 2380 | 3105 | 820  | 540 | 150 |
| HSDURA 60  |      |     |      |      |      |     |     |
| HSDKRA 60  |      |     |      |      |      |     |     |
| HSKBTA 120 | 1351 | 942 | 2870 | 3721 | 1050 | 560 |     |
| HSDURA 120 |      |     |      |      |      |     |     |
| HSDKRA 120 |      |     |      |      |      |     |     |

### Technical Features

| Hopper Volume (dm <sup>3</sup> ) | Capacity (TPH) |       |      | Weights (Kg) |       | Gross Volume (m <sup>3</sup> ) |
|----------------------------------|----------------|-------|------|--------------|-------|--------------------------------|
|                                  | Wheat          | Flour | Bran | Net          | Gross |                                |
| 33.4                             | 7.2            | 5     | 2.8  | 227          | 371   | 2.7                            |
|                                  |                |       |      |              |       |                                |
|                                  |                | 82.4  | 17.7 |              |       |                                |
|                                  |                |       |      |              |       |                                |
| 165.8                            | 33.5           |       |      | 23.6         | 13.9  | 610                            |
|                                  |                |       |      |              |       |                                |

\*Henry Simon reserves the right to change, delete, or otherwise modify the information which is represented without any prior notice.