

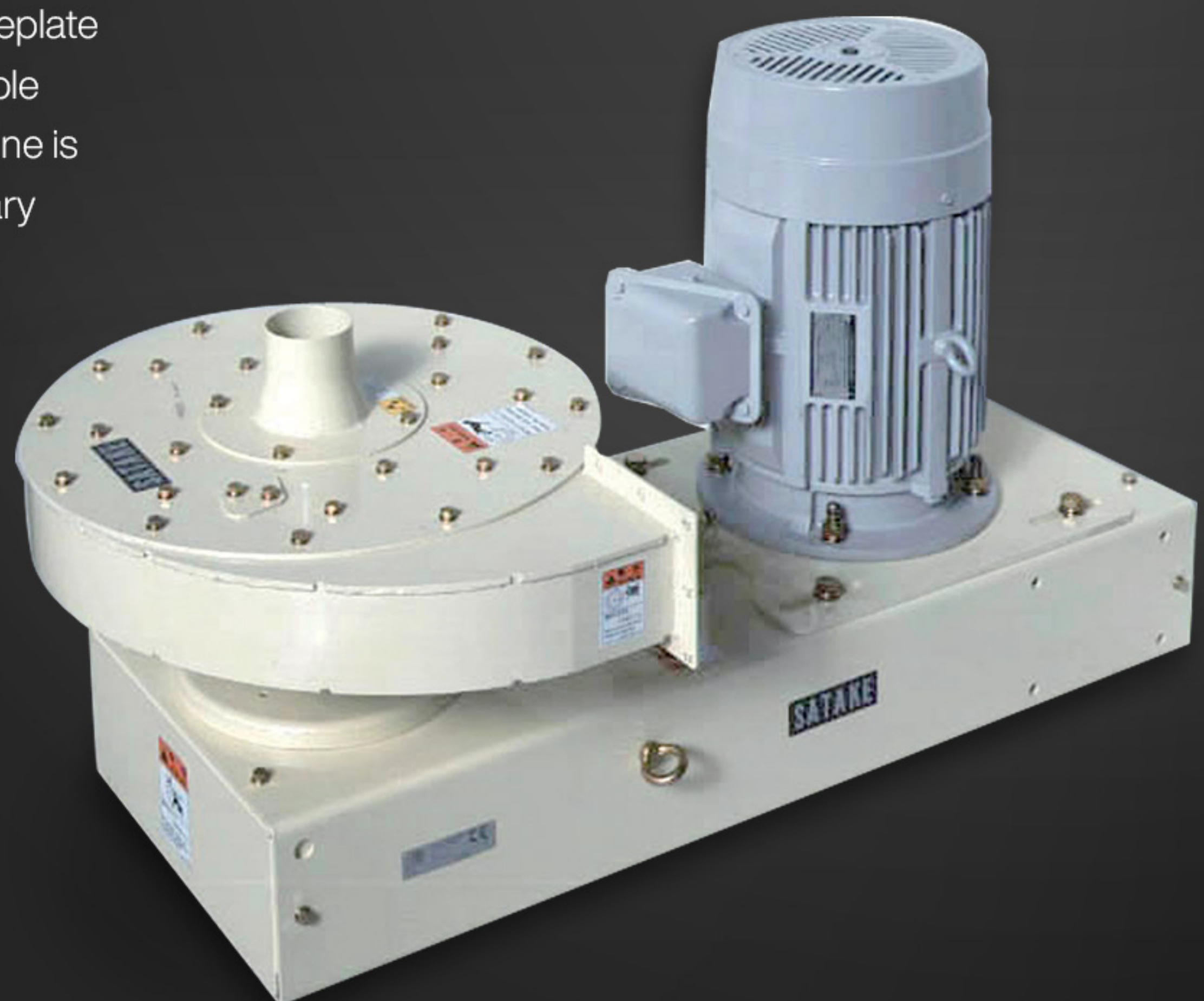
HSSPM PIN MILL

FEATURES

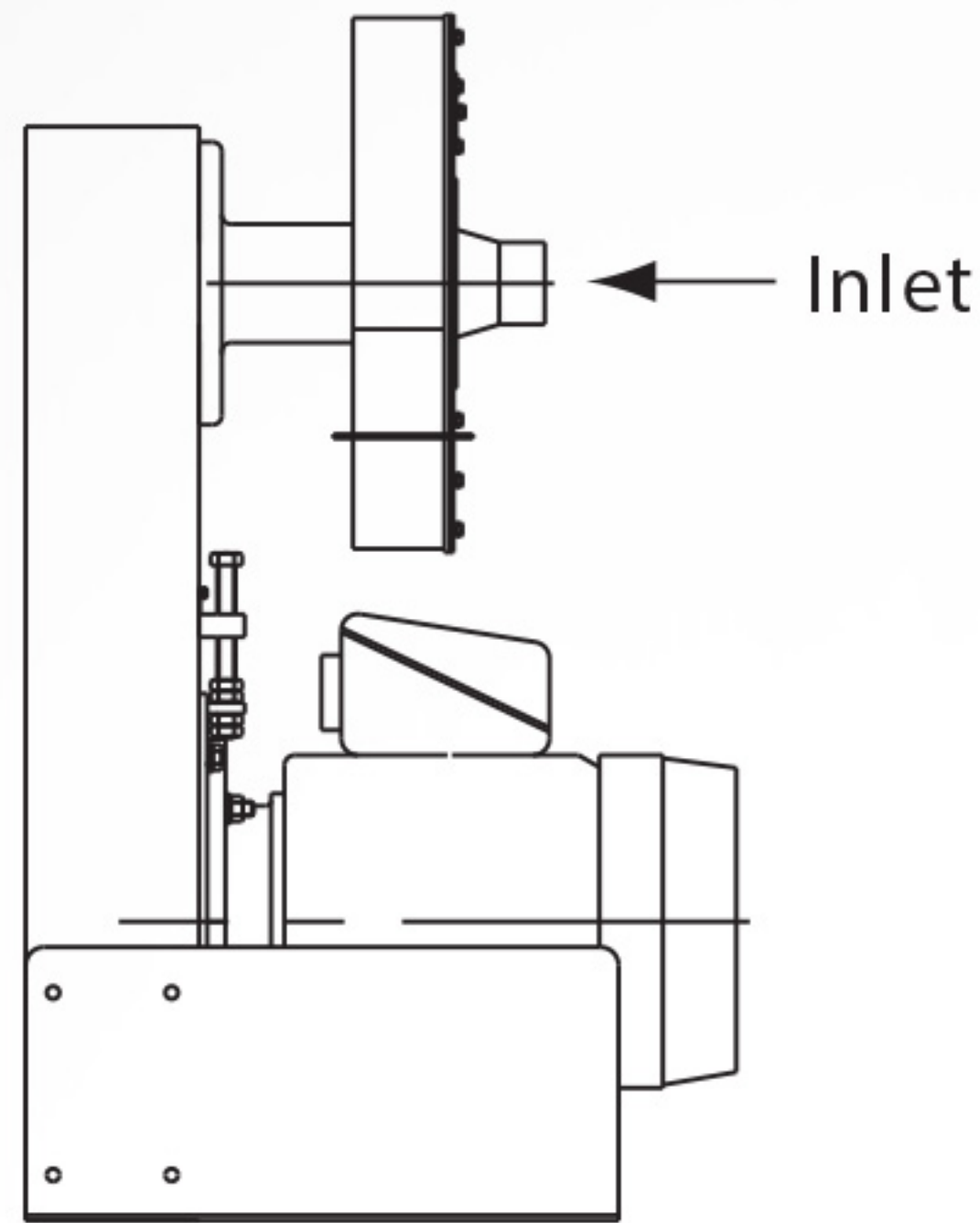
- The Pin Mill is a multi purpose in-line machine specially designed for high rotor speeds for continuous grinding, infestation destruction and mixing of a wide range of cereal products, conveyed under suction (vertical mount type) gravity or suction (horizontal mount type). The principle application is its use to grind clean middlings and fine semolina into flour with minimum increase in starch damage. On this duty it can replace a roller mill in the mill diagram.

INSTALLATION & OPERATION

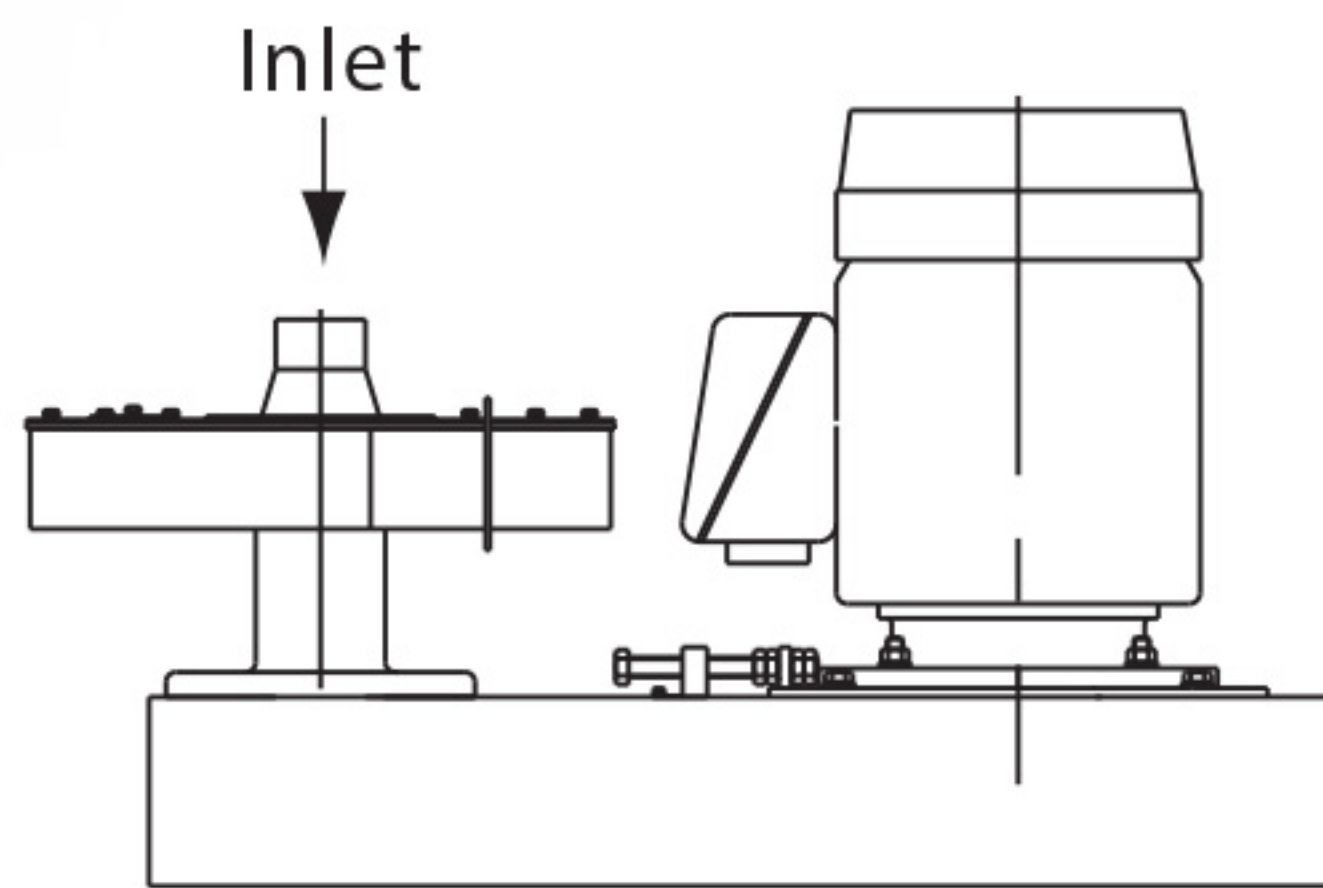
- Two mounting options are available horizontal and vertical.
The volute can be adjusted in 30 degree increments relative to the body baseplate as required to suit installation. Variable speed can be achieved if the machine is used in conjunction with a proprietary frequency variable control device.



〈Vertical Mount〉



〈Horizontal Mount〉



Specifications

Description	SPM	
	Rotor Speed rpm	Tons/Hour
Capacity for middlings (using 18.5kW motor)	3000	1.0 to 6.0
	4500	1.0 to 5.0
	5000	1.0 to 2.5
Motor Power Available	11, 15, 18.5, 22 kW	
Nominal Rotor Speed	3000, 4000, 4500, 5000, 5500 rpm	

All Satake products are the subject of continuous development and, as a result, their specification may change and differ in detail from that outlined in this leaflet.

Dimensions (Vertical mount)	Overall height	1452mm (57.2ins)
	Overall length	729mm (28.7ins)
	Overall width	800mm (31.5ins)
Dimensions (Horizontal mount)	Overall height	800mm (31.5ins)
	Overall length	1452mm (57.2ins)
	Overall width	729mm (28.7ins)
Net weight		200kg (455lbs)(excluding motor)