

AUTOMATIC DAMPENING DEVICE

HSTOCA

The HSTOCA works efficiently together with the Intensive Dampening Machine (HSTCTS). It is equipped with the Microwave Technology, which ensures precise water flow rate adjustment and humidity measurement in tempering process.

Features & Advantages

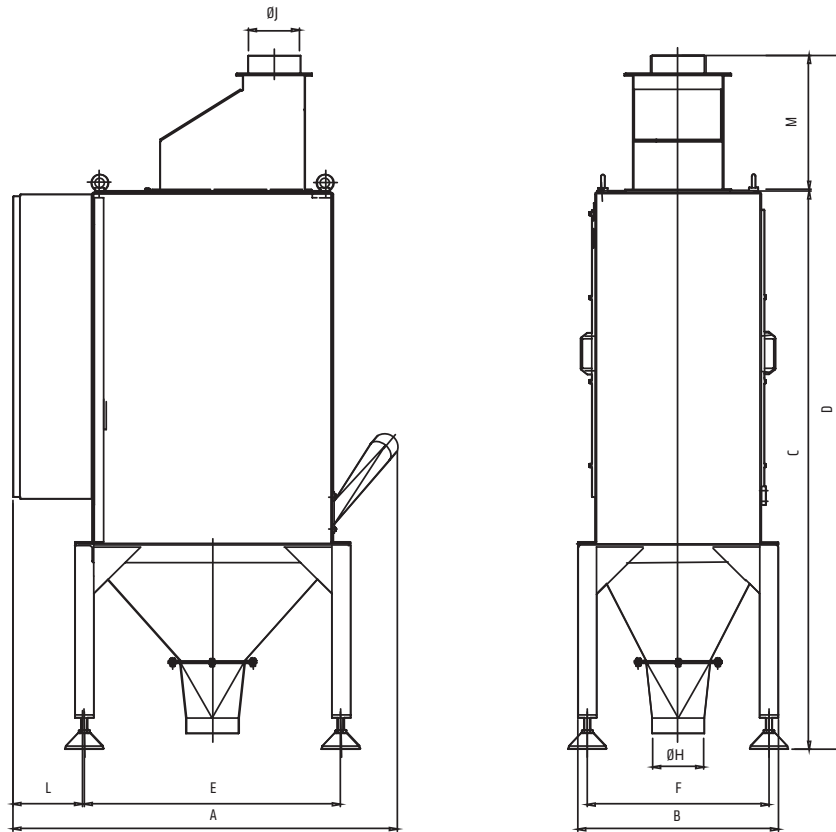
- Low operational and maintenance cost
- Stainless steel, robust construction



HENRY SIMON
MANCHESTER 1878

↓ Front View

↓ Side View



Technical Features

Model	Capacity (TPH)	Weight (Kg)		Gross Volume (m ³)
		Net	Gross	
HSTOCA 30	30	340	500	3.1
HSTOCA 45	40	400	570	3.5

Dimensions (mm)

Model	A	B	C	D	E	F	øH	L	M	øJ
HSTOCA 30	1,224	644	1,696	2,131	720	600	120 x150	250	435	120x150
HSTOCA 45		744				700				200

* Capacities are given for wheat and will vary for different type of products.

*Henry Simon reserves the right to change, delete, or otherwise modify the information which is represented without any prior notice.