

DEGERMER

HSVBF

Features & Advantages

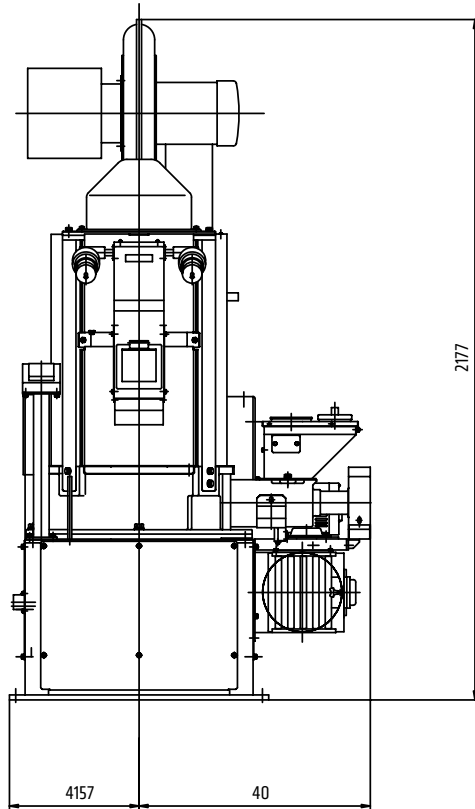
The HSVBF series of vertical maize degerming machines incorporate the most advanced techniques and has proved to be superior to other machines in maize degerming mills throughout the world. The versatility of the HSVBF for decorticating and degerming of all kernels makes it the ideal machine for modern maize mills.

- Lower installation and operation costs
 - Higher degerming yield
 - Easy maintenance
-

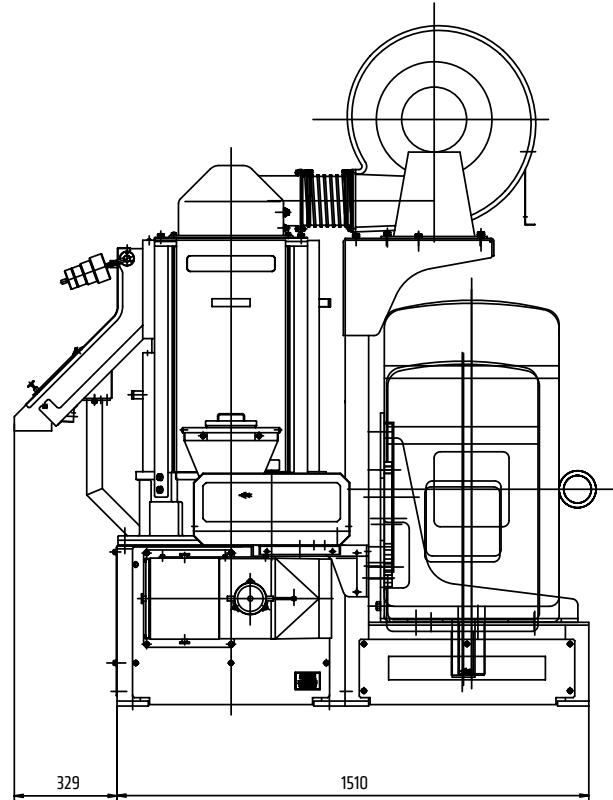


HENRY SIMON
MANCHESTER 1878

↓ Front View



↓ Side View



Technical Features

Model	Capacity (TPH)	Motor Power (kW)	Main Shaft (r.p.m)	Air Requirement (m ³ /min)	Static Pressure (mmAq)	Net Weight (kg)
HSVBF10AM-T	4 - 6	55 or 75	485 (50Hz) 464 (60Hz)	45	100 - 150	1,200 (without motor)

*Henry Simon reserves the right to change, delete, or otherwise modify the information which is represented without any prior notice.