

FLOW BALANCER

HSTFBA

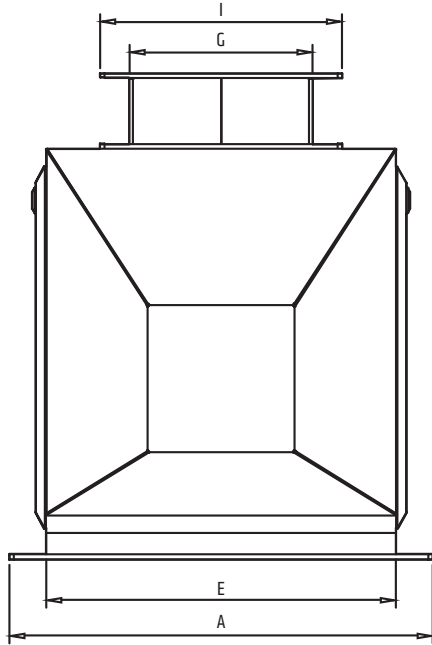
Flow balancer is used to electronically measure the gravimetric flow rate of grain. This equipment mainly placed under the raw material and product silos for efficient blending process.

Features & Advantages

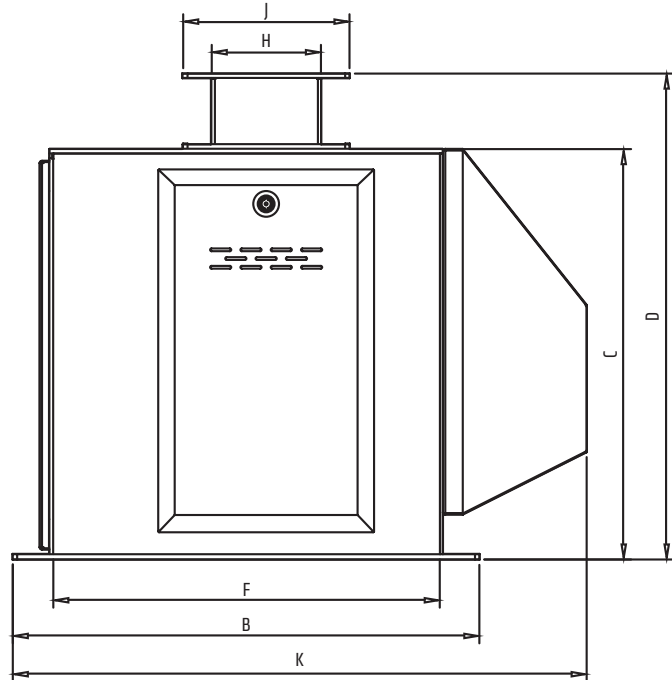
- High accuracy and product flow rate
 - Robust and high quality body
 - Long life span
-



↓ Top View



↓ Side View



Technical Features

Model	Capacity (TPH) Wheat*	Weight (Kg)		Gross Volume (m ³)
		Net	Gross	
HSTFBA 30	0-30	60	100	0.2
HSTFBA 100	30-100	80	130	0.4

Dimensions (mm)

Model	A	B	C	D	E	F	G	H	I	J	K
HSTFBA 30	461	508	447	530	381	428	200	120	264	182	624
HSTFBA 100	617	572	498	582	537	477	420	156	356	212	702

* Capacities are given for wheat and may change for other type of products.

*Henry Simon reserves the right to change, delete, or otherwise modify the information which is represented without any prior notice.