

# HORIZONTAL INTENSIVE DAMPENING MACHINE

HSTCTI

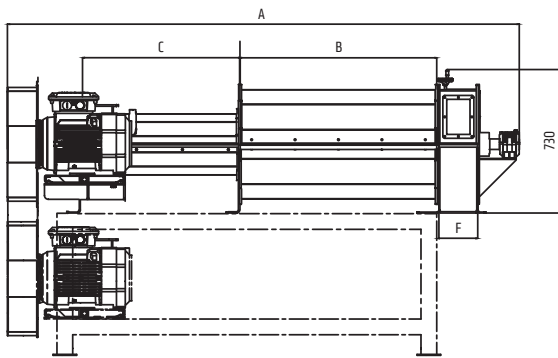
## Features & Advantages

Compared to inclined models, HSTCTI increases efficiency of tempering process with more water absorption in shorter periods. The machine has also two sections of different rotor diameter with paddles on, which ensures homogenous water distribution and high dampening performance.

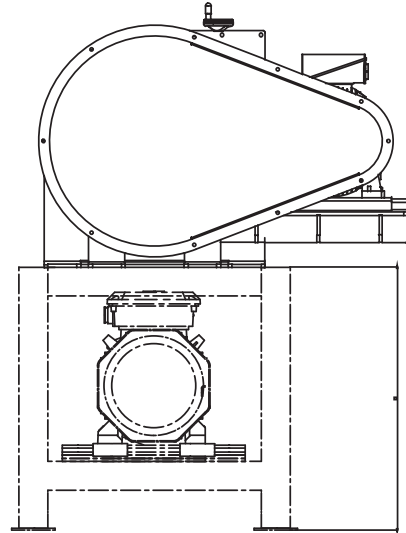
- The concept of this Dampener is to create a very homogeneously moistened wheat with water evenly distributed on the kernels.



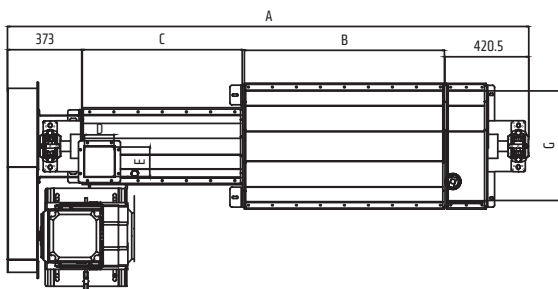
Front View



Side View



Top View



## Technical Features

Model	* Capacity (TPH)	Motor Power (kW)	Weight (Kg)
HSTCTI 100-7,5	5-6	7.5	600
HSTCTI 100-11	10-12	11	650
HSTCTI 100-15	12-20	15	700
HSTCTI 100-22	20-25	22	750
HSTCTI 160-30	25-30	30	1,200
HSTCTI 160-37	30-35	37	1,250
HSTCTI 160-45	35-40	45	1,350

## Dimensions (mm)

Model	A	B	C	D	E	F	G
HSTCTI 100-7,5	2,600	1,000	800	150	150	180	550
HSTCTI 100-11	2,600	1,000	800	150	150	180	550
HSTCTI 100-15	2,600	1,000	800	150	150	180	550
HSTCTI 100-22	2,600	1,000	800	150	150	180	550
HSTCTI 160-30	3,200	1,600	800	240	240	180	550
HSTCTI 160-37	3,200	1,600	800	240	240	180	550
HSTCTI 160-45	3,200	1,600	800	240	240	180	550

\*Henry Simon reserves the right to change, delete, or otherwise modify the information which is represented without any prior notice.