

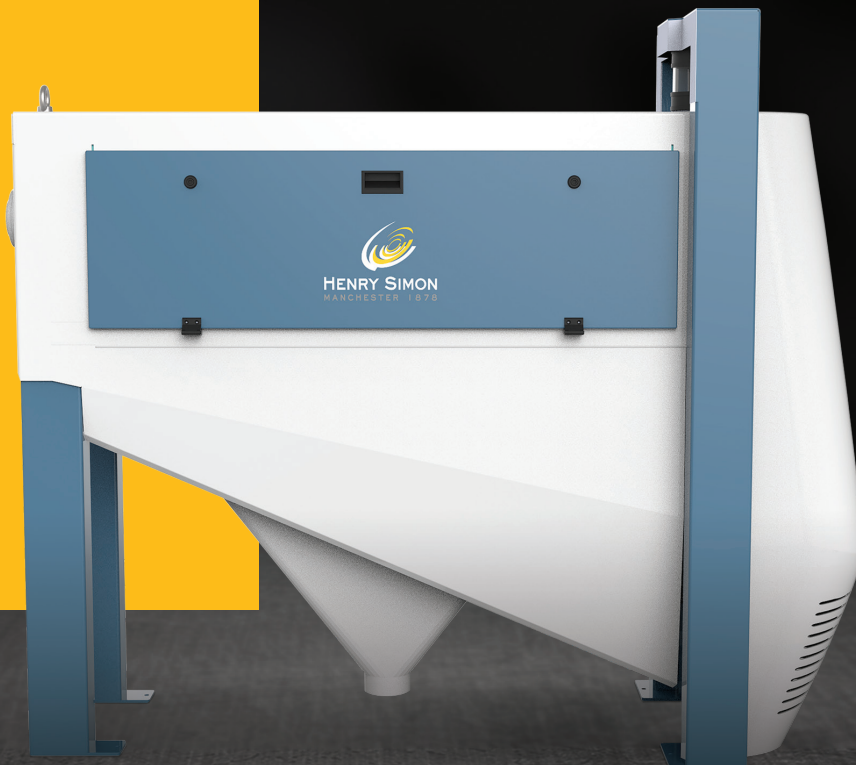
# INTENSIVE WHEAT SCOURER

HSKKSI

The Intensive Wheat Scourer (HSKKSI) is used for removal of outer husk, and dirt (i.e. seed impurities, damaged kernels etc.) via friction and rubbing. Moreover, Intensive Wheat Scourer, also effectively breaks down and eliminates the weaker, insect damaged kernels.

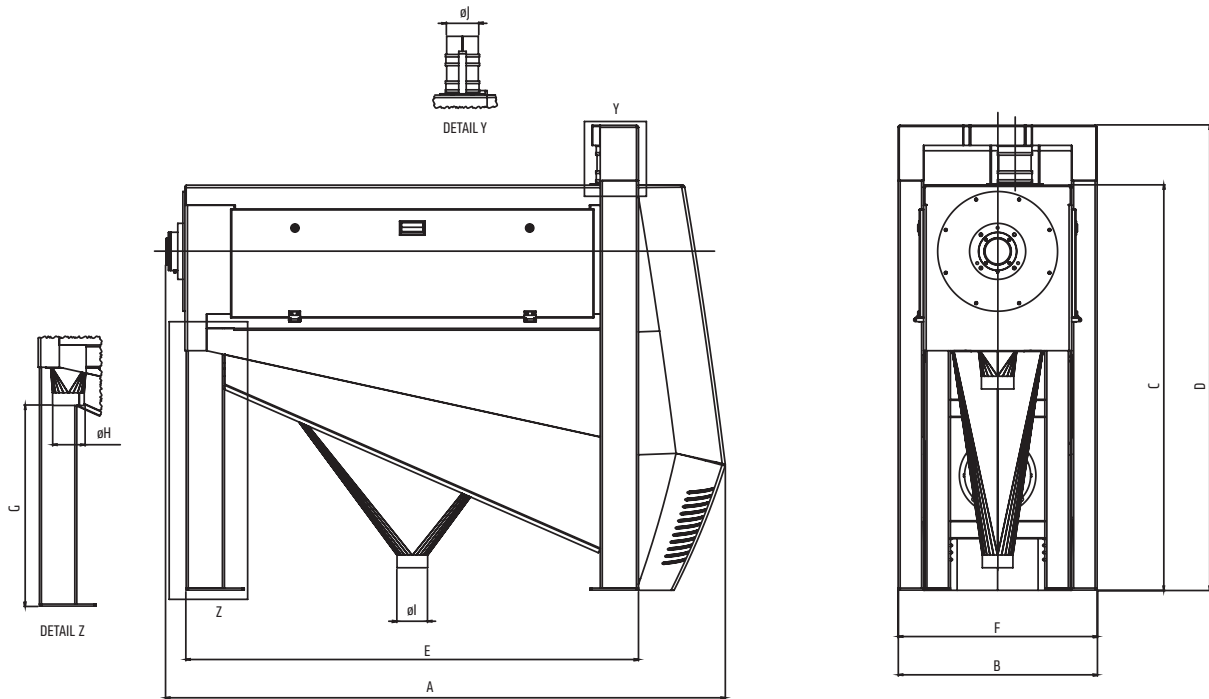
## Features & Advantages

- Better sanitary storage condition within the cleaning and tempering sections by reducing ash, impurities and microorganism content of the final milled products



↓ Front View

↓ Side View



## Dimensions (mm)

| Model      | A    | B   | C    | D    | E    | F   | G   | øH  | øI  | øJ  |
|------------|------|-----|------|------|------|-----|-----|-----|-----|-----|
| HSKKS 3010 | 1820 | 730 | 1590 | 1825 | 1410 | 570 | 785 | 120 | 120 | 120 |
| HSKKS 3013 | 2190 |     |      |      | 1775 |     |     | 150 | 120 | 150 |
| HSKKS 4013 |      |     |      |      |      |     |     |     |     |     |

## Technical Features

| Model      | Capacity (TPH) |              |              |              | Motor (kW) | Air Volume (m <sup>3</sup> /min) | Weights (Kg) |       | Gross Volume (m <sup>3</sup> ) |
|------------|----------------|--------------|--------------|--------------|------------|----------------------------------|--------------|-------|--------------------------------|
|            | Soft Wheat     |              | Hard Wheat   |              |            |                                  | Net          | Gross |                                |
|            | 1st Cleaning   | 2nd Cleaning | 1st Cleaning | 2nd Cleaning |            |                                  |              |       |                                |
| HSKKS 3010 | 6              | 5            | 5            | 4            | 7.5        | 6                                | 543          | 689   | 3.9                            |
| HSKKS 3013 | 10             | 8            | 8            | 7            | 11         | 8                                | 600          | 817   | 4.7                            |
|            | 14             | 10           | 10           | 9            | 15         |                                  |              |       |                                |
| HSKKS 4013 | 16             | 14           | 14           | 12           |            | 18.5                             | 10           | 625   |                                |
|            | 20             | 16           | 16           | 14           |            |                                  |              |       |                                |

\*Henry Simon reserves the right to change, delete, or otherwise modify the information which is represented without any prior notice.