

WHEAT DEBRANNER

HSVTA

The improved Wheat Debranner is a high capacity machine designed for removing the outer bran layers from cereals such as wheat, barley and rye, by abrasion. The machine is exceptionally wear resistant and is designed for a trouble-free 24/7 operation.

Features & Advantages

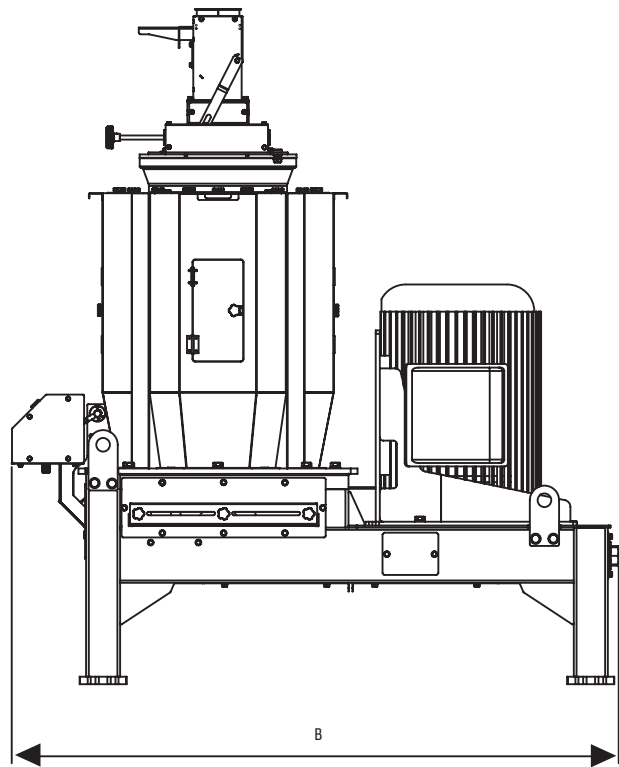
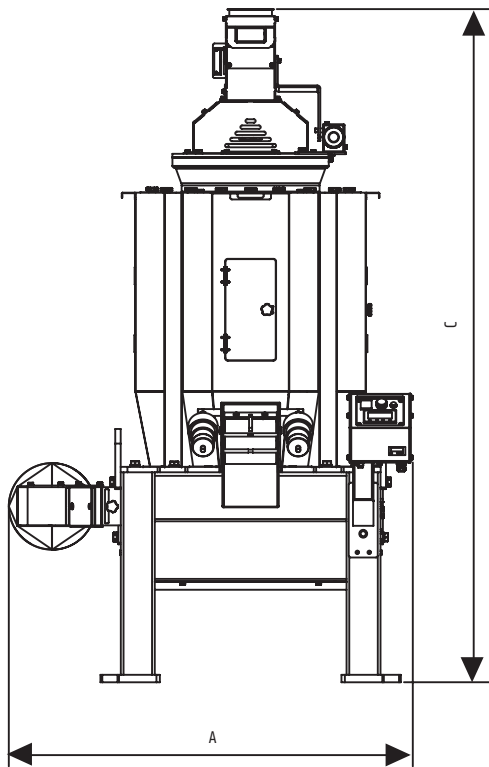
- Automation and ease of operation
- Lower milling temperature
- Improved bran removal
- Gentle milling



HENRY SIMON
MANCHESTER 1878

↓ Front View

↓ Side View



Technical Features

Model	* Capacity (TPH)	Power Requirement (kW)	Air Requirement (m ³ /min)	Required Static Pressure (kPa)
HSVTA20SR-T	8 - 10	90	110	1.0 - 1.5

Dimensions (mm)

Model	A	B	C
HSVTA20SR-T	1,596	2,292	2,444

* For other models and required capacities, please contact your regional Henry Simon sales office.

* Henry Simon reserves the right to change, delete, or otherwise modify the information which is represented without any prior notice.