

INTENSIVE WHEAT SCOURER

HSKCSI

The Intensive Wheat Scourer (HSKCSI) is used for removal of outer husk, and dirt (i.e. seed impurities, damaged kernels etc.) via friction and rubbing. Moreover, Intensive Wheat Scourer, also effectively breaks down and eliminates the weaker, insect damaged kernels.

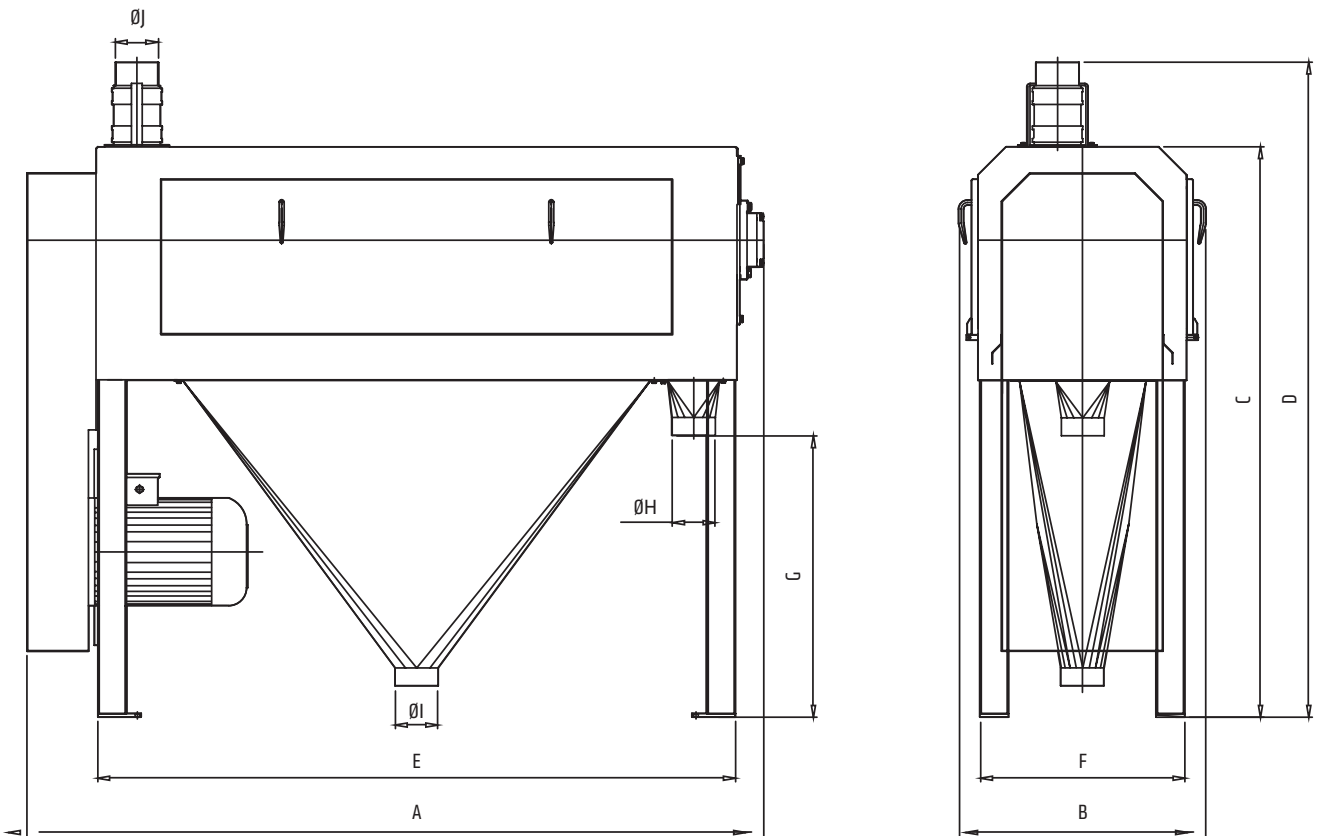
Features & Advantages

- Better sanitary storage condition within the cleaning and tempering sections by reducing ash, impurities and microorganism content of the final milled products.



↓ Front View

↓ Side View



Technical Features

Model	Capacity (TPH)				Motor Power (kW)	Weight (Kg)		Gross Volume (m ³)
	Soft Wheat		Hard Wheat			Net	Gross	
	1st Cleaning	2nd Cleaning	1st Cleaning	2nd Cleaning				
HSKKS1 3010	6	5	5	4	7.5	543	689	3.9
HSKKS1 3013	10	8	8	7	11	600	817	4.7
	14	10	10	9	15			
HSKKS1 4013	16	14	14	12		18.5	625	
	20	16	16	14				

Dimensions (mm)

Model	A	B	C	D	E	F	G	øH	øI	øJ
HSKKS1 3010	1,680	730	1,590	1,825	1,410	570	785	120	120	120
HSKKS1 3013	2,050				1,775			150	120	150
HSKKS1 4013										

*Henry Simon reserves the right to change, delete, or otherwise modify the information which is represented without any prior notice.