

HORIZONTAL INTENSIVE DAMPENING MACHINE

HSTCTI

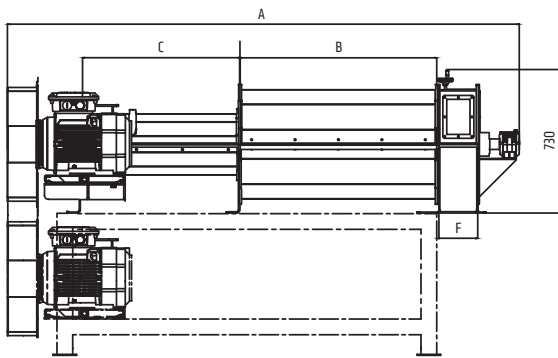
Features & Advantages

Compared to inclined models, HSTCTI increases efficiency of tempering process with more water absorption in shorter periods. The machine has also two sections of different rotor diameter with paddles on, which ensures homogenous water distribution and high dampening performance.

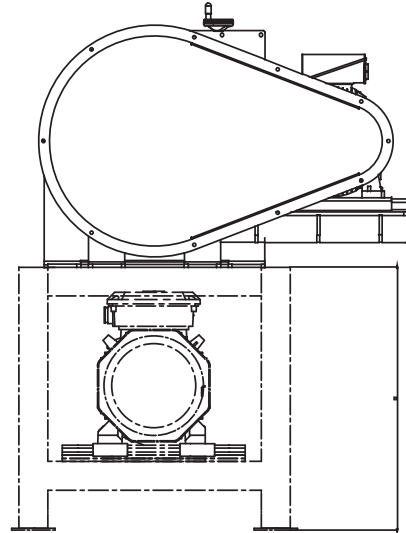
- The concept of this Dampener is to create a very homogeneously moistened wheat with water evenly distributed on the kernels



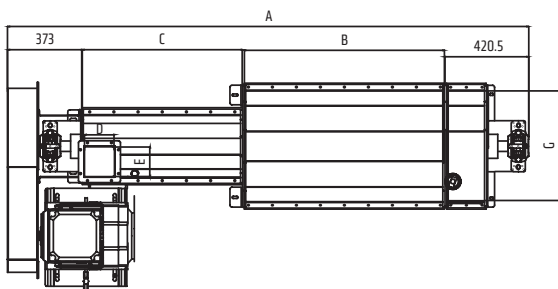
↓ Front View



↓ Side View



↓ Top View



Dimensions (mm)

Model	A	B	C	D	E	F	G
HSTCTI 100-7,5	2600	1000	800	150	150	180	550
HSTCTI 100-11	2600	1000	800	150	150	180	550
HSTCTI 100-15	2600	1000	800	150	150	180	550
HSTCTI 100-22	2600	1000	800	150	150	180	550
HSTCTI 160-30	3200	1600	800	240	240	180	550
HSTCTI 160-37	3200	1600	800	240	240	180	550
HSTCTI 160-45	3200	1600	800	240	240	180	550

Technical Features

Model	Capacity (TPH) Wheat	Motor (kW)	Weights (Kg)
HSTCTI 100-7,5	5-6	7,5	600
HSTCTI 100-11	10-12	11	650
HSTCTI 100-15	12-20	15	700
HSTCTI 100-22	20-25	22	750
HSTCTI 160-30	25-30	30	1200
HSTCTI 160-37	30-35	37	1250
HSTCTI 160-45	35-40	45	1350

*Henry Simon reserves the right to change, delete, or otherwise modify the information which is represented without any prior notice.