

LEG ASPIRATOR

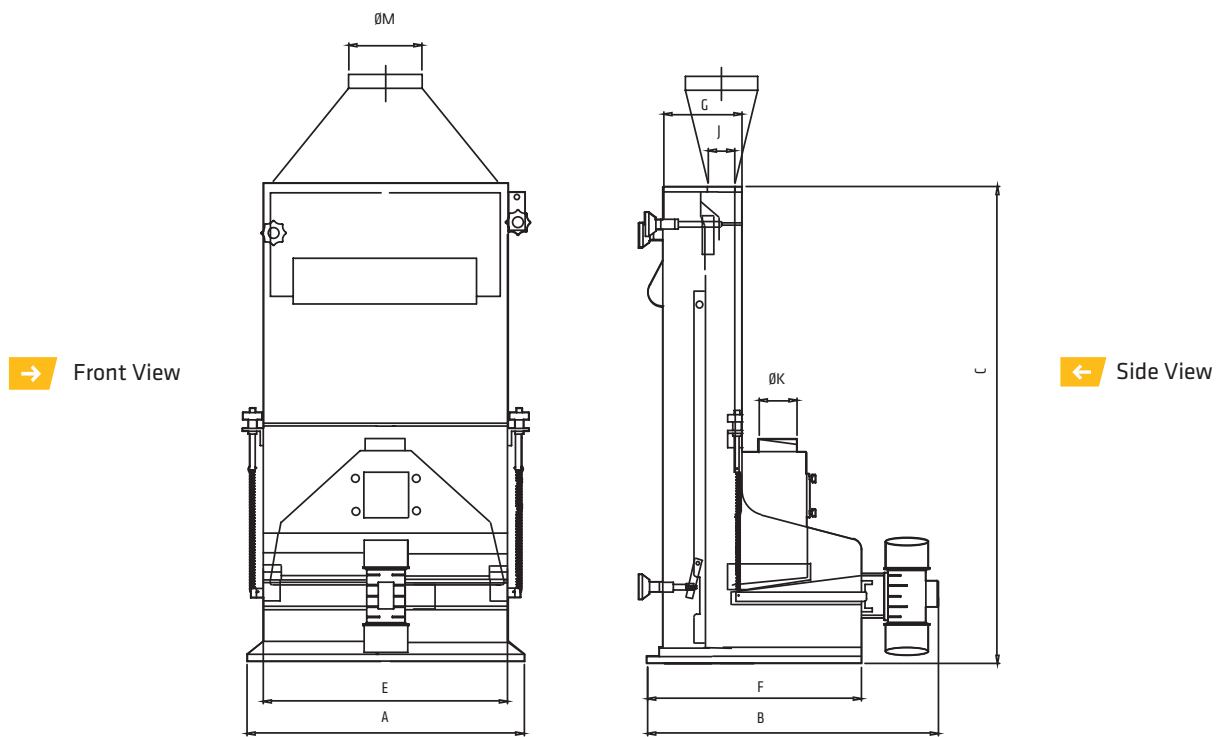
HSKHKA

The Leg Aspirator (HSKHKA) is designed to separate light impurities and foreign materials from wheat by air circulation. It is also applicable to use for any type of grains, coffee beans, soybeans and similar products.

Features & Advantages

- Connectivity to central ventilation system
 - Adjustable air supply
-





Dimensions (mm)

Model	A	B	C	E	F	G	J	øK
HSKHKA 60G	800	847	1455	600	770	324	170 x 548	120 150
HSKHKA 60AG	810	632			632		150 x 596	
HSKHKA 75G	950	847		750	770		170 x 698	
HSKHKA 75AG	960	632			632		150 x 746	
HSKHKA 100G	1200	847		1000	770		170 x 948	
HSKHKA 100AG	1210	632			632		150 x 996	
HSKHKA 150G	1700	847		1500	770		170 x 1448	
HSKHKA 150AG	1710	632			632		150 x 1496	

Technical Features

Model	Corn-Maize		Dusty, Husk	Wheat		Motor (kW)	Air Volume (m³/min)	Wheat		Gross Volume (m³)
	Mixture	Particules		Separation of Kernies Shrivelled	Separation Dusty, Husk			Net	Gross	
HSKHKA 60G	1.3	1.7	3.3	1.8	3.6	0.17	55	135	250	2
HSKHKA 60AG	2.4	3.1	5.9	3.3	6.3			105	205	1.6
HSKHKA 75G	1.3-2	1.7 - 2.6	3.3 - 4.9	1.7 - 2.6	3.3 - 4.9	0.17	75	170	296	2.2
HSKHKA 75AG	2.4 - 3.6	3.1 - 4.7	5.9 - 8.9	3.1 - 4.7	5.9 - 8.9			130	240	1.8
HSKHKA 100G	2 - 2.7	2.6 - 3.5	4.9 - 6.6	3	6	0.17	90	180	355	3.6
HSKHKA 100AG	3.6 - 4	4.7 - 6.2	8.9 - 11.8	5.6	10.6			130	256	2.2
HSKHKA 150G	3-4	3.9 - 5.9	7.3 - 9.9	4.5	9	0.17	135	225	406	3.6
HSKHKA 150AG	5.4 - 7.2	7 - 9.3	13.3 - 17.7	8.4	16			195	354	2.9

*Henry Simon reserves the right to change, delete, or otherwise modify the information which is represented without any prior notice.