

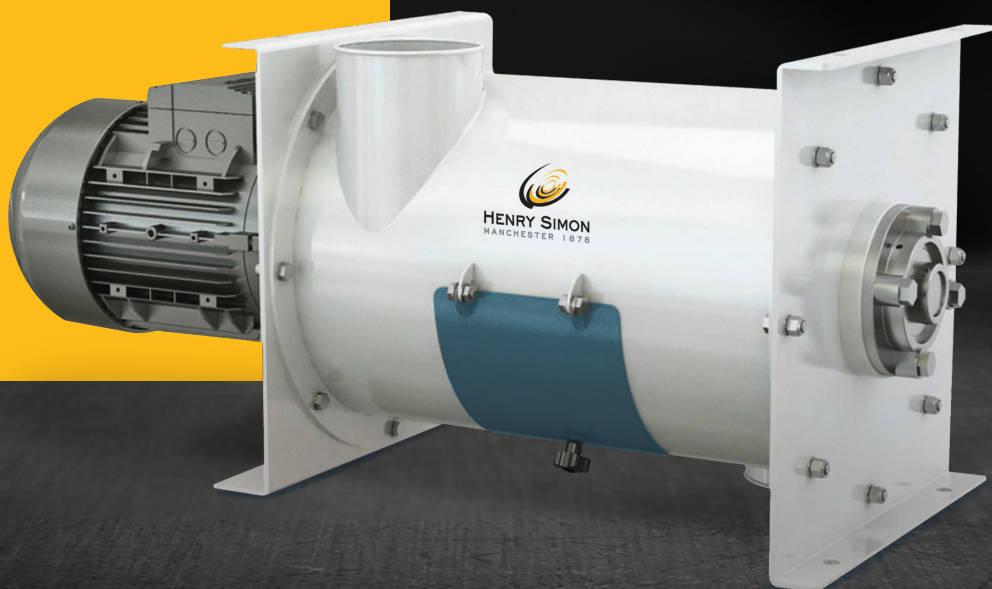
DRUM DETACHER

HSDTDA

The Drum Detacher (HSDTDA) is used to break endosperm flakes which are produced by the reduction rolls to improve flour production.

Features & Advantages

- Delicate detaching without stock degradation
- Low energy consumption

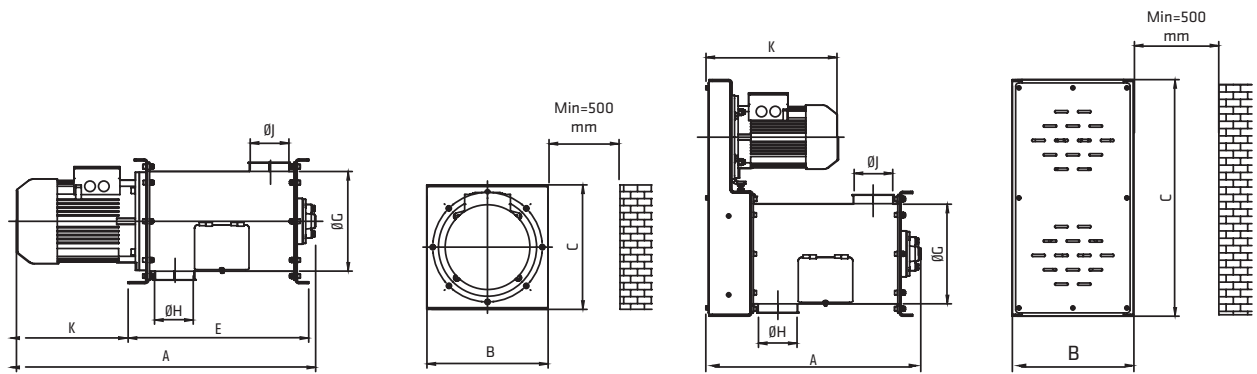


Front View

Side View

Front View

Side View



Type A (Direct Drive)

Type F (Pulley Belt Drive)

Technical Features

Model	Capacity (TPH)	Motor Power (kW)	Weight (Kg)		Gross Volume (m ³)
			Net	Gross	
HSDTDA 30 / 45-A	1	2.2	100	148	0.5
	1.5	3	105	152	0.4
HSDTDA 30 / 45-F	1	2.2	100	148	0.5
	1.5	3	105	152	

Dimensions (mm)

Model	A	B	C	E	øG	øH	øJ	K
HSDTDA 30 / 45-A	870	370	380	550	290	120	120	299
	910							338
HSDTDA 30 / 45-F	665		720	620				380

*Henry Simon reserves the right to change, delete, or otherwise modify the information which is represented without any prior notice.