

# GRAIN SEPARATOR

HSTCSI

---

## Features & Advantages

---

The Grain Separator (HSTCSI) is a multipurpose cleaning machine, designed for the efficient separation of impurities in any kind of grain and cereal cleaning process. The equipment has two decks of adjustable sieves and ensures effective cleaning with vibration and an external aspiration. The Grain Separator can be adapted to use as Silo Intake Separator in pre- cleaning process as well as specialized separator in the Internal cleaning process. It can be fitted with an aspirator or with a hopper at the stock outlet.

---

- Quick and easy screen replacement
  - Flexible and adjustable inclination
  - Easy and minimum maintenance
  - Custom sieve perforation design
  - High capacity and efficiency
  - Durability and long lifetime
  - Low energy consumption
- 

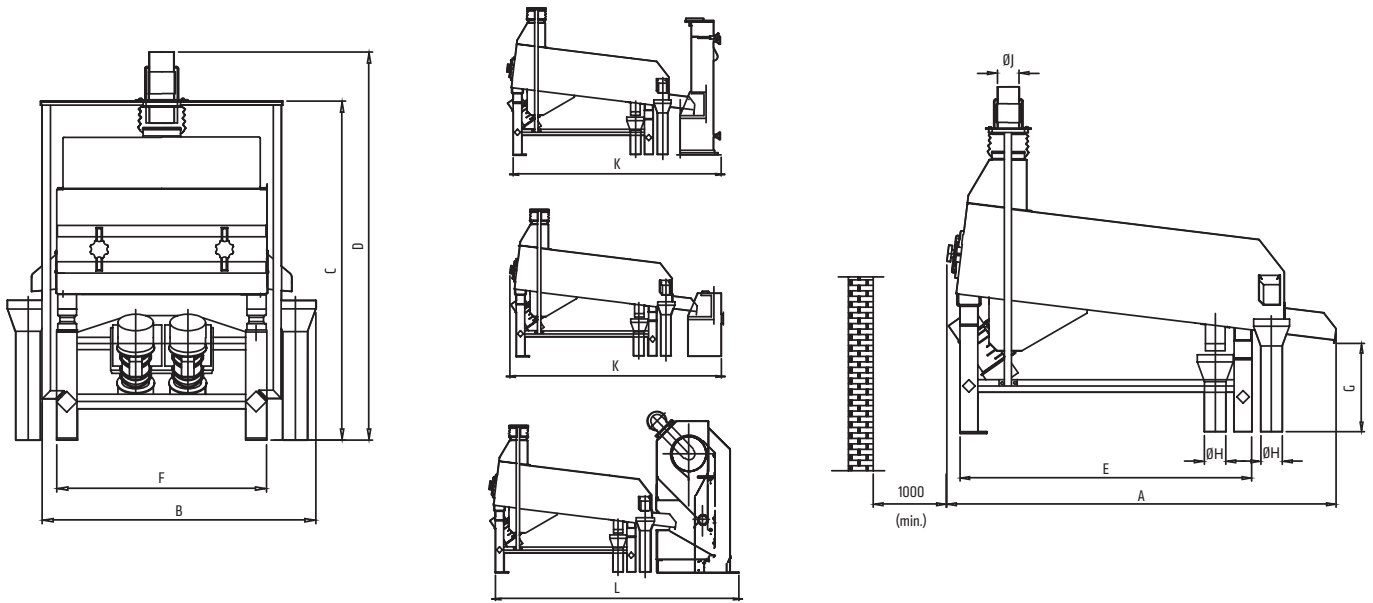


**HENRY SIMON**  
MANCHESTER 1878

↓ Back View

↓ Side View

↓ Position



## Technical Features

Model	Capacity		Sieve Dimensions (mm)		Motor Power (kW)	Weight (Kg)		Gross Volume (m <sup>3</sup> )
	Pre Cleaning	Cleaning	Length	Width		Net	Gross	
HSTCSI 60 / 100	14	3	600	1,000	2 x 0.28	500	712	4.8
HSTCSI 60 / 150	22	5		2 x 750		550	817	6.5
HSTCSI 100 / 150	36	9	1,000	2 x 1,000	2 x 0.4	620	939	8.7
HSTCSI 100 / 200	50	12				910	1,279	10.4
HSTCSI 150 / 150	60	15	1,500	2 x 750	2 x 0.75	960	1,387	13.4
HSTCSI 150 / 200	75	20		2 x 1,000		1,010	1,492	16
HSTCSI 150 / 200G	100	25				1,310	1,792	17.5

## Dimensions (mm)

Model	A	B	C	D	E	F	G	øH	øj	K	L
HSTCSI 60 / 100	1,660	937	1,622	1,857	1,132	606	485	120	120	2,005	2,333
HSTCSI 60 / 150	2,157		1,790	2,030	1,632					2,502	2,830
HSTCSI 100 / 150	2,688	1,337	1,622		2,120	1,006				3,002	3,330
HSTCSI 100 / 200			2,157	1,850	2,416	1,632				2,502	2,830
HSTCSI 150 / 150	2,633	1,838	2,150	2,600	2,120	1,506	150	180	3,002	3,330	
HSTCSI 150 / 200							200	250			
HSTCSI 150 / 200G											

\* Capacities are given based on wheat with the specific gravity of 0.78-0.80 kg/dm<sup>3</sup>, and they can change depending on the variety, initial condition and contamination of product.

\*Henry Simon reserves the right to change, delete, or otherwise modify the information which is represented without any prior notice.