

IMPACT DETACHER

HSDIKA

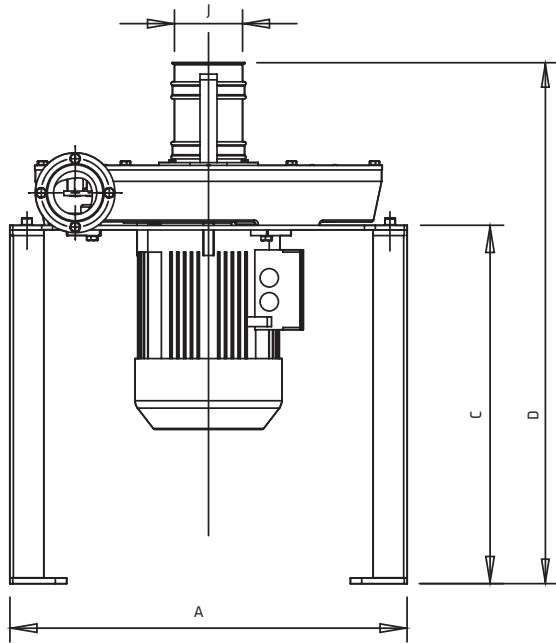
The Impact Detacher (HSDIKA) is used for grinding and product separation in semolina passages, enabling increase the yield content of the flour.

Features & Advantages

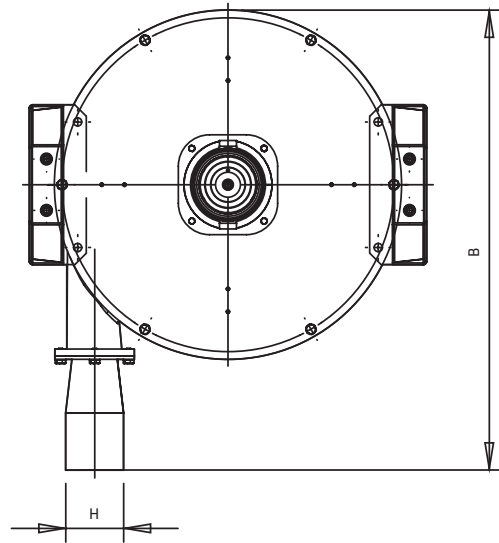
- Low investment and operation costs
 - Durability and long life span
-



↓ Front View



↓ Top View



Technical Features

Model	Capacity (TPH) Flour	Motor (kW)	Weight (Kg)		Gross Volume (m ³)
			Net	Gross	
HSDIKA 51 (50Hz.) HSDIKA 45 (60Hz.)	1	5.5	147	230	1.2
	1.7	7.5	156	239	
	2.8	11	184	267	
	4	15	193	276	
HSDIKA 43/36	2.5	4	80	141	0.8
	3.5	5.5	90	151	

Dimensions (mm)

Model	A	B	C	D	E	F	G	øH	øI	øJ	K
HSDIKA 51 (50Hz.) HSDIKA 45 (60Hz.)	700	806	620 std 820 1,020	913 std 1,113 1,313	480 680 std 880 1080 1280 1480 1680 1880 2000	820-1,020 std 1,220-1,420 1,620-1,820 2,020-2,220 2,340	830	57 64 70 76 83 95 102 108 119 125	57 64 70 76 83 95 102 108 119 125	120 150	775 975 std 1,175 1,375 1,575 1,775 1,975 2,175 2,295
						940-1,140 std 1,340-1,540 1,740-1,940 2,140-2,340 2,460					790 990 std 1,190 1,390 1,590 1,790 1,990 2,190 2,310
HSDIKA 43/36	550	550		928 std 1,128 1,328		780-980 std 1,180-1,380 1,580-1,780 1,980-2,180 2,300	550				
						820-1,020 std 1,220-1,420 1,620-1,820 2,020-2,220 2,340					

*Henry Simon reserves the right to change, delete, or otherwise modify the information which is represented without any prior notice.