

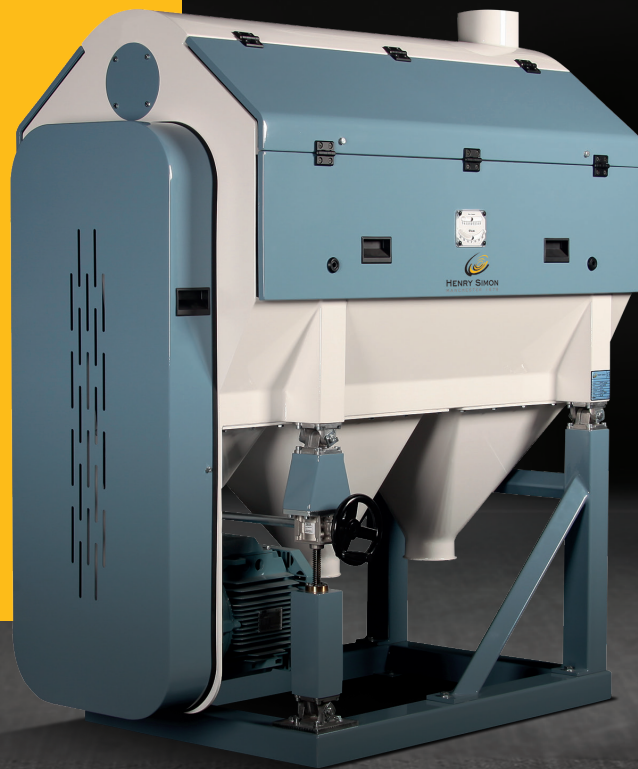
INCLITEC BRAN FINISHER

HSBFI

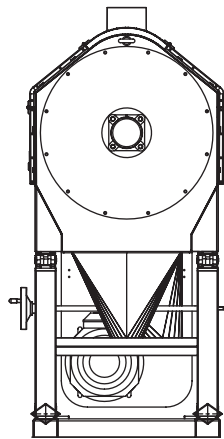
Features & Advantages

The Inclitec Bran Finisher (HSBFI), offers better efficiency in bran removal process compared to the conventional models. One of the main benefits of HSBFI is the precise operational control of the process via special rotor blades. With the special rotor blade design, HSBFI provides better efficiency in removing bran from flour. Moreover, the ability of changing the angle of the rotor (sieve) ensures better contact of the product with the rotor surface which also increases the efficiency of the operation.

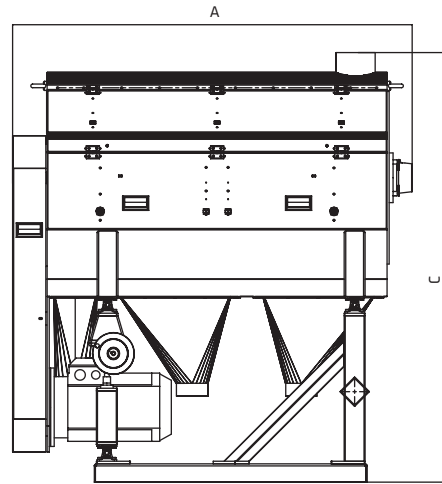
- Innovative design with rotor inclination and special rotor blades
- Hygienic, self cleaning design
- Simplification of the maintenance via hinged door access on each side.
- Available in two motor sizes to suit a range of duties



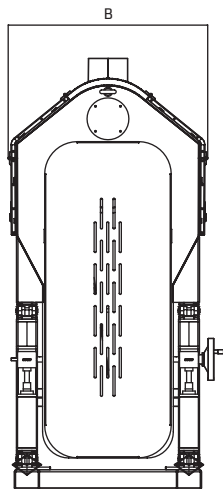
↓ Side View



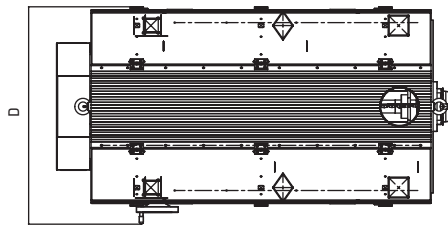
↓ Front View



↓ Side View



↓ Top View



Technical Features

Model	Capacity (T/H)	Motor Power (kW)	Weight (Kg)		Gross Volume (m³)
			Net	Gross	
HSBFI 75	1.5-1.8	7.5	512	684	4.2
HSBFI 110	2-2.5	11	587	728	5.4

Dimensions

Model	A	B	C	D
HSBFI 75	1,528	763	1,642	831
HSBFI 110				

*Henry Simon reserves the right to change, delete, or otherwise modify the information which is represented without any prior notice.