

# INFESTATION DESTROYER

HSDVDU

## Features & Advantages

The Infestation Destroyer is designed to eliminate infestation elements (i.e. eggs, larva or insects) by installing it at the outlet of the milling products or before the bagging or bulk loading.

- Mild steel / stainless steel options
- Efficient and aesthetics
- Powerful operation

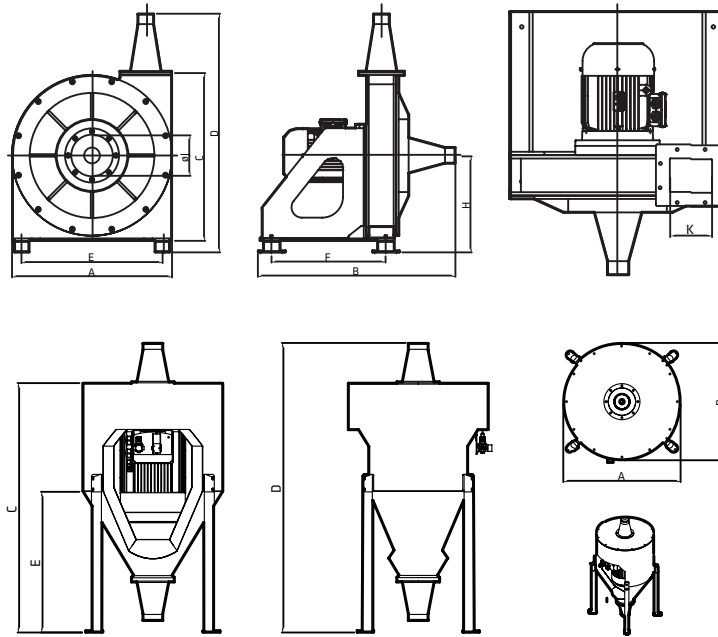


**HENRY SIMON**  
MANCHESTER 1878

↓ Front View

↓ Side View

↓ Top View



### Technical Features

| Model           | Capacity (TPH) | Motor Power (kW) | Weight (Kg) |       | Gross Volume (m³) |
|-----------------|----------------|------------------|-------------|-------|-------------------|
|                 |                |                  | Net         | Gross |                   |
| HSDVDU 5.5 (S)  | 0.2            | 5.5              | 310         | 360   | 0.90              |
| HSDVDU 7.5 (S)  | 3              | 7.5              |             |       |                   |
| HSDVDU 11 (S)   | 4-5            | 11               |             |       |                   |
| HSDVDU 15 (S)   | 6-8            | 15               | 375         | 425   | 1                 |
| HSDVDU 18.5 (S) | 9-11           | 18.5             | 395         | 445   |                   |
| HSDVDU 22 (S)   | 12-15          | 22               | 450         | 500   | 1.1               |
| HSDVDU 30 (S)   | 16-18          | 30               | 510         | 560   |                   |
| HSDVDU 37 (S)   | 19-22          | 37               | 520         | 570   |                   |
| HSDVDU 45 (S)   | 23-27          | 45               | 620         | 680   | 1.2               |
| HSDVDU 55 (S)   | 27-30          | 55               | 720         | 800   | 1.3               |

| Model           | Capacity (TPH) | Motor Power (kW) | Weight (Kg) |       | Gross Volume (m³) |
|-----------------|----------------|------------------|-------------|-------|-------------------|
|                 |                |                  | Net         | Gross |                   |
| HSDVDU 5.5 (S)  | 0.2            | 5.5              | 240         | 264   | 1.8               |
| HSDVDU 7.5 (S)  | 3              | 7.5              | 255         | 281   |                   |
| HSDVDU 11 (S)   | 4-5            | 11               | 282         | 310   |                   |
| HSDVDU 15 (S)   | 6-8            | 15               | 363         | 400   | 2.4               |
| HSDVDU 18.5 (S) | 9-11           | 18.5             | 380         | 418   |                   |
| HSDVDU 22 (S)   | 12-15          | 22               | 413         | 455   |                   |
| HSDVDU 30 (S)   | 16-18          | 30               | 478         | 525   |                   |
| HSDVDU 37 (S)   | 19-22          | 37               | 503         | 553   |                   |

### Dimensions (mm)

| Model           | A     | B     | C     | D         | E         | F   | H   | ø         | K         |
|-----------------|-------|-------|-------|-----------|-----------|-----|-----|-----------|-----------|
| HSDVDU 5.5 (P)  | 770   | 949   | 807   | 1,145     | 680       | 551 | 465 | ø200      | 150 x 120 |
| HSDVDU 7.5 (P)  |       |       |       |           |           |     |     |           | 150 x 150 |
| HSDVDU 11 (P)   |       |       |       |           |           |     |     |           | 150 x 150 |
| HSDVDU 15 (P)   |       | 1051  | 706   | 190 x 150 |           |     |     |           |           |
| HSDVDU 18.5 (P) |       |       |       | 190 x 150 |           |     |     |           |           |
| HSDVDU 22 (P)   |       | 1171  | 500   | 515       | 220 x 190 |     |     |           |           |
| HSDVDU 30 (P)   |       |       |       |           | 220 x 190 |     |     |           |           |
| HSDVDU 37 (P)   |       |       |       |           | 220 x 190 |     |     |           |           |
| HSDVDU 45 (P)   |       | 1,205 | 862   | 1,192     | 430       | 500 | 515 |           | 580       |
| HSDVDU 55 (P)   | 1,277 | 990   | 1,323 | 476       | 608       | 580 | 580 | 220 x 190 |           |

| Model           | A   | B   | C     | D     | E   |
|-----------------|-----|-----|-------|-------|-----|
| HSDVDU 5.5 (P)  | 740 | 740 | 1,350 | 1,585 | 710 |
| HSDVDU 7.5 (P)  |     |     |       |       |     |
| HSDVDU 11 (P)   |     |     |       |       |     |
| HSDVDU 15 (P)   | 850 | 850 | 1,500 | 1,740 | 850 |
| HSDVDU 18.5 (P) |     |     |       |       |     |
| HSDVDU 22 (P)   |     |     |       |       |     |
| HSDVDU 30 (P)   |     |     |       |       |     |
| HSDVDU 37 (P)   |     |     |       |       |     |

\*Various motor power options are available upon requirement

\*Henry Simon reserves the right to change, delete, or otherwise modify the information which is represented without any prior notice.