

# INTENSIVE DAMPENING MACHINE

HSTCTS

The Intensive Dampening Machine is used to increase the moisture content of grain and cereal products at a desired rate. Its inclined compact rotor design with angled mixing paddles ensures excellent and uniform dampening process.

## Features & Advantages

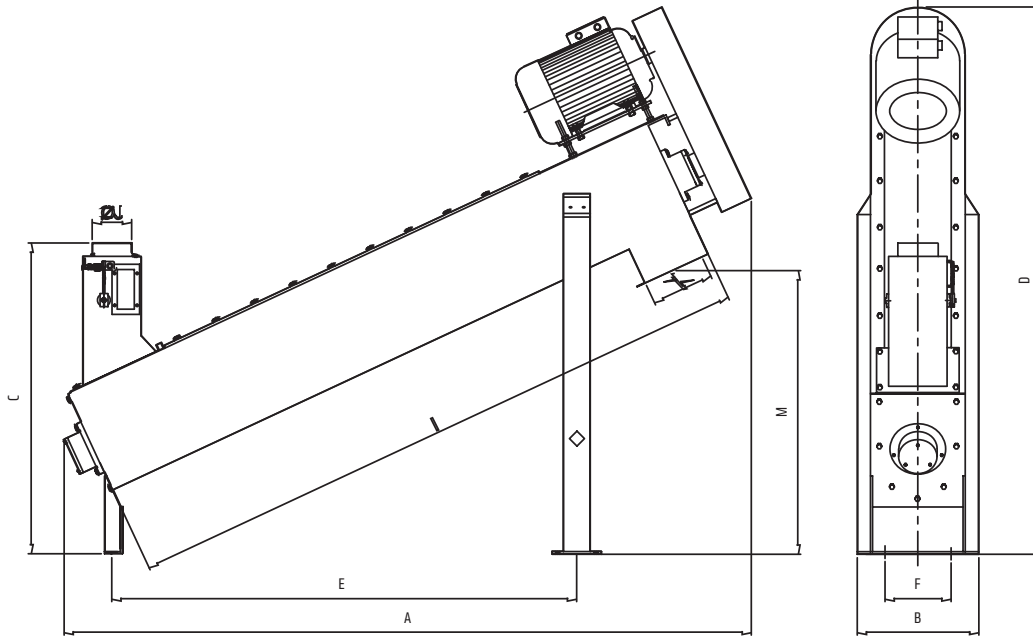
- Hygienic design with stainless steel construction
- Easy cleaning and maintenance
- Durability and long life time



**HENRY SIMON**  
MANCHESTER 1878

↓ Front View

↓ Side View



### Technical Features

Model	Capacity (TPH)	Motor Power (kW)	Weight (Kg)		Gross Volume (m <sup>3</sup> )
			Net	Gross	
HSTCTS 350	0-8	4	450	699	5.2
	8-12	5.5			
	12-18	7.5			
HSTCTS 500	18-22	7.5	745	1,029	6.6
	22-25	11			
	25-30	15			
HSTCTS 600	30-35	18.5	1,100	1,560	12.9
	35-45	22			

### Dimensions (mm)

Model	A	B	C	D	E	F	H	I	M	øJ
HSTCTS 350	2,585	550	1,170	2,055	1,170	250	195x280	2,395	1,066	120x150
HSTCTS 500		700	1,190	2,215	1,190	400	195x430		1,120	
HSTCTS 600	3,693	800	1,550	2,865	1,550	610	365x510	3,500	1,657	200

\* Capacities are given for wheat and will vary for different type of products.

\*Henry Simon reserves the right to change, delete, or otherwise modify the information which is represented without any prior notice.