

OPTICAL SORTER

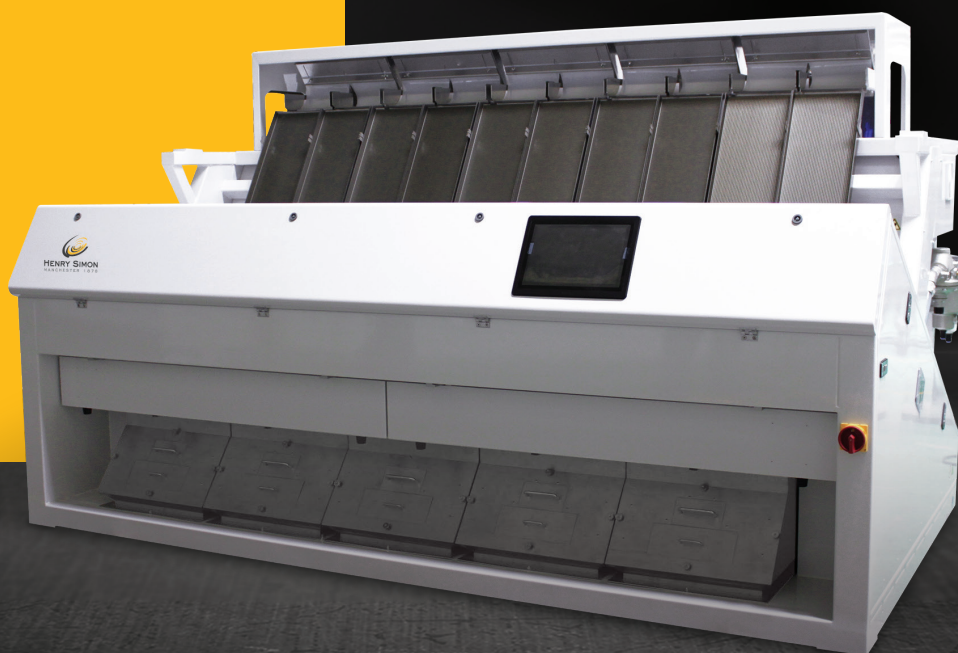
HSREZX

Features & Advantages

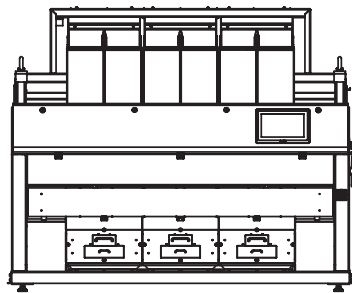
The new HSREZX is a high capacity, full-color sorter available with size and shape detection technology. It comes in 2 model sizes; the 4500 with 6 chutes, and the 7500 with a larger 10 chutes.

It is perfect for sorting products like dry beans, coffee, seeds, wheat, and other grains. The HSREZX sorter features enhanced software assuring quick set-up and easy operation. A simple user interface, similar to a smart phone or tablet with touch and flick operation, offers the operator quick adjustments to a number of settings and sensitivities.

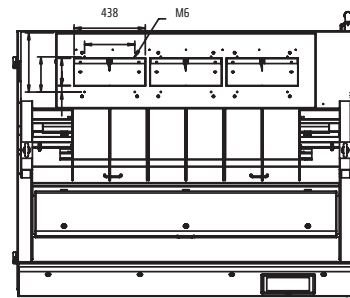
- Full color RGB camera
- Long-life LED lighting
- Size and shape detection technology
- Automatic defect profile creation
- Three stage sorting system (DIS model only)
- High capacity vibratory feeder system



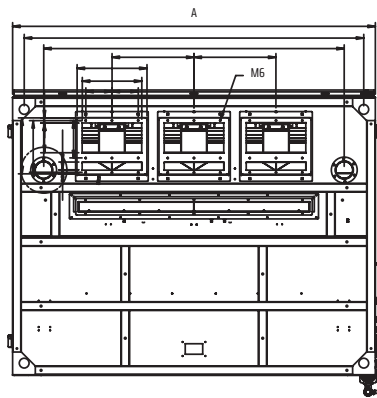
↓ Front View



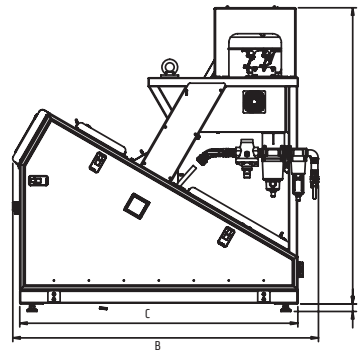
↓ Back View



↓ Top View



↓ Side View (LH)



Technical Features

Model	Type of Sorting	*Capacity (TPH)	Ejector Pitch (mm)	Air Compressor (kW)	Power Supply (V)
HSREZX4500BI	All Primary	12 - 18	5	11 - 15	Single Phase 200 - 240
HSREZX4500AIS	Re-sort	8 - 12	5	11 - 15	
HSREZX4500DIS	Tertiary	8 - 12	5	11 - 15	
HSREZX7500BI	All Primary	15 - 30	5	11 - 22	
HSREZX7500AIS	Re-sort	12 - 18	5	11 - 22	
HSREZX7500DIS	Tertiary	12 - 18	5	11 - 22	

Dimensions (mm)

Model	A	B	C
HSREZX4500	2,077	1,749	1,694
HSREZX7500	2,902	1,749	1,694

* Capacities are given based on wheat/barley with %3-5 impurity rate; and can change depending on the variety, initial condition and contamination of product.

*Henry Simon reserves the right to change, delete, or otherwise modify the information which is represented without any prior notice.