

# PNEUMATIC LINE DIVERTER GATE

HSKPKA

It is used to divert the product for both pressurized and suction pneumatic conveying systems.

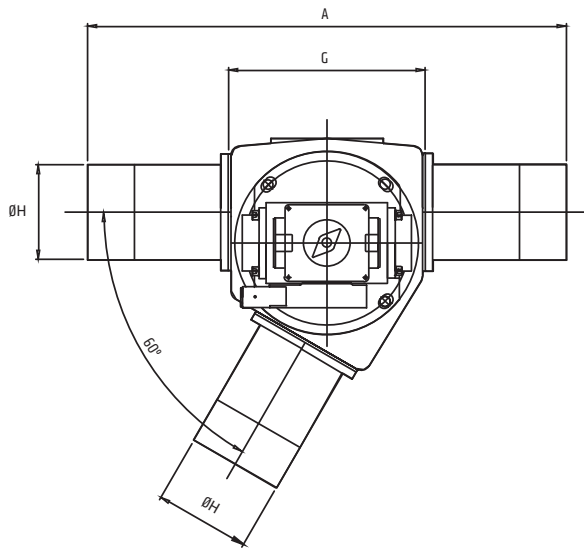
## Features & Advantages

- Durable cast iron body and rotor structure
- High efficiency
- Easy to install

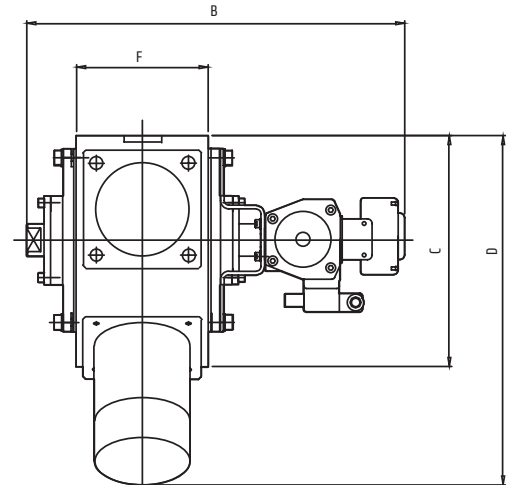


**HENRY SIMON**  
MANCHESTER 1878

Side View



Top View



### Technical Features

Model	Weight (Kg)		Gross Volume (m <sup>3</sup> )
	Net	Gross	
HSKPKA - B - 83	37	70	0.1
HSKPKA - B - 102	56	92	0.12
HSKPKA - B - 120	92	132	0.14
HSKPKA - B - 150	127	172	0.18
HSKPKA - B - 180	162	212	0.22

### Dimensions (mm)

Model	A	B	C	D	F	G	øH
HSKPKA - B - 83	484	384	210	327	125	184	42
							46
							51
							57
							63
							70
							76
83							
HSKPKA - B - 102	516	414	247	371	148	216	95
							102
HSKPKA - B - 120	548	446	287	406	174	248	108
							119
							125
HSKPKA - B - 150	598	488	345	467	210	298	133
							150
HSKPKA - B - 180	636	540	378	500	243	336	170
							190

\*Henry Simon reserves the right to change, delete, or otherwise modify the information which is represented without any prior notice.