

PURIFIER

HSPU

HSPU Purifier is used for semolina purification and classification process in flour mills. The machine has a robust design equipped with Advanced Sensor Technology, enables the machine to operate with optimum efficiency.

Features & Advantages

- Light metallic sieve frames with adjustable tightening devices
- Easy to clean and sanitary design
- Quick and easy replacement of sieves

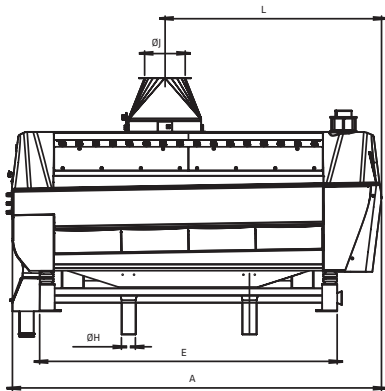


ITALDESIGN

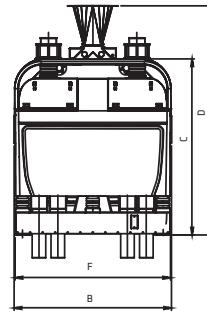
ADVANCED
SENSOR
TECHNOLOGY

HENRY SIMON
MANCHESTER 1878

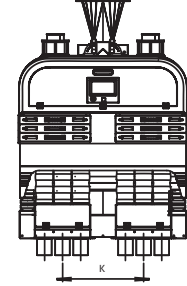
Front View



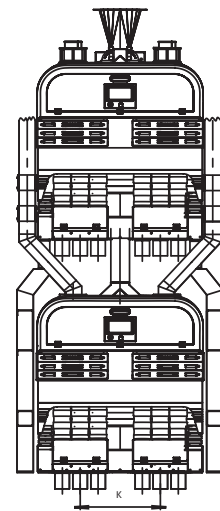
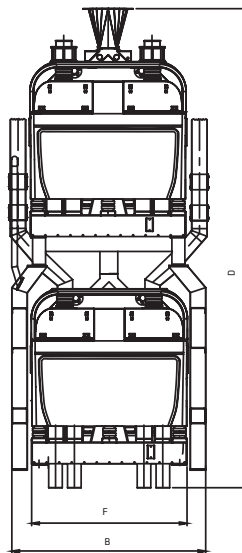
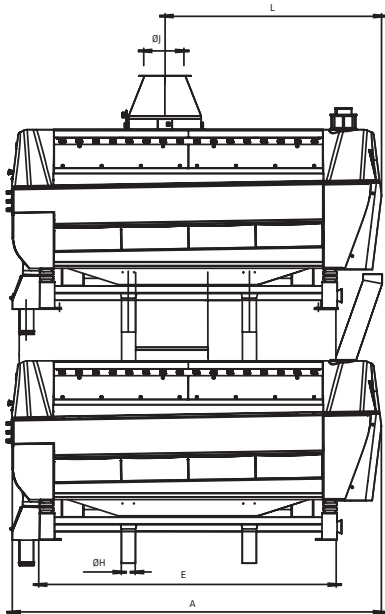
Side View (RH)



Side View (LH)



Single Deck Purifier



Double Deck Purifier

Technical Features

Model	Motor Power (kW)	Net Sieve Width (mm)	Air Volume (m ³ /min)	Weight (Kg)		Gross Volume (m ³)
				Net	Gross	
HSPU 46/200	2 x 0.40	500	50	1,000	1,334	8.7
HSPU 46/200C*	4 x 0.40		100	2,500	3,010	17.8

Dimensions (mm)

Model	A	B	C	D	E	F	øH	øj	K	L
HSPU 46 / 200	2,715	1,200	1,355	1,820	2,220	1,194	100	300	580	1,575
HSPU 46 / 200C*		1,485	2,925	3,390				420		

* Double Deck Purifier

*Henry Simon reserves the right to change, delete, or otherwise modify the information which is represented without any prior notice.