

QUADRO PLANSIFTER HSQP

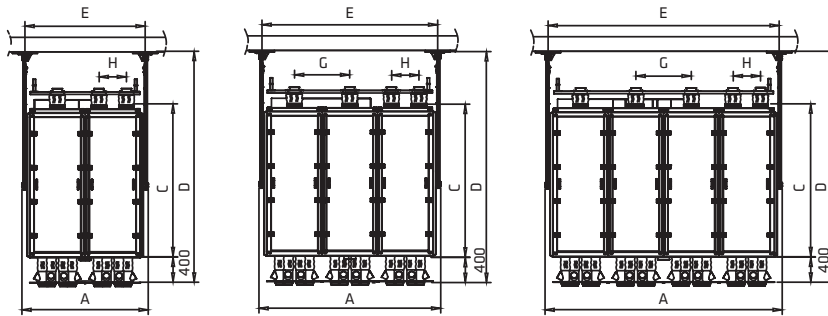
The HSQP Plansifter is used for the sifting process of grinded wheat, maize and other grains; and classify them by the particle size. This machine is also equipped with Advanced Sensor Technology which enables the customer to track the environmental working conditions and analyses the data for optimum operation.

Features & Advantages

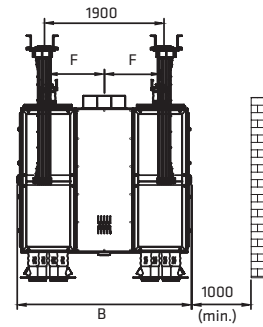
- Special chassis design and material for vibrating operations
- Up to 30 sieves per deck with G type larger sieve boxes
- Easy cleaning and maintenance
- High capacity in limited spaces



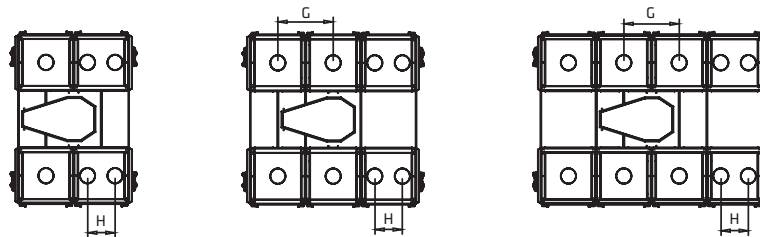
Front View



Side View



Top View



Dimensions (mm)

Model	HSQP 424	HSQP 428	HSQP 430	HSQP 624	HSQP 628	HSQP 630	HSQP 824	HSQP 828	HSQP 830
A	1,713		2,020	2,549		2,880	3,205		3,786
B	2,355		2,765	2,355		2,765	2,355		2,765
C	1,995	2,293	2,398	1,995	2,549	2,398	1,995	2,293	2,398
D	3,100	3,250	3,365	3,100	3,250	3,365	3,100	3,250	3,365
E	1,685		1,950	2,430		2,813	3,175		3,689
F	735		892	735		892	735		892
G	745		866	745		866	745		866
H	373			373		440	373		

Technical Features

Model	HSQP 424	HSQP 428	HSQP 430	HSQP 624	HSQP 628	HSQP 630	HSQP 824	HSQP 828	HSQP 830	
Number of Compartments	4			6			8			
Number of Sieves per Compartment	20 - 24	24 - 28	30	20 - 24	20-24	30	20 - 24	24 - 28	30	
Net sifting area in	Typ N (m ²)	20 - 25	25 - 30	37.5	30 - 37.5	37.5 - 45	56.2	40 - 50	50 - 60	75
	Typ G (m ²)	24 - 30	30 - 36	43.7	36 - 45	45 - 54	65.6	48 - 60	60 - 72	87.5
Motor Power (kW)	4			5.5			7.5			
Weight (Kg)	Net	2,500	2,750	3,550	3,260	3,710	4,578	4,425	4,850	6,343
	Gross	2,933	3,008	3,800	2,770	4,435	4,850	4,660	5,085	7,154
Gross Volume (m ³)	11.5	13	18.1	16.4	18.5	25	20.2	22.9	32.2	

*Henry Simon reserves the right to change, delete, or otherwise modify the information which is represented without any prior notice.