

ROLLER MILL

HSRM

Features & Advantages

The HSRM Roller Mill is intelligently designed with the state-of-the-art control systems for precise and effective grinding operation for the wheat, maize (corn) and various grains. This is a new generation roller mill equipped with Advanced Sensor Technology, which enables to track the machine status in real time, moreover records data for optimum machine operating conditions.

- Central lubrication system
- Quick roll change mechanism
- Low energy consumption
- Quiet operation

Optional:

- Main Roll Temperature Monitoring
- Stainless Steel Contact Surfaces



grapas INNOVATIONS AWARDS



RICE



PASTA



FLOUR



GOOD DESIGN

ADVANCED
SENSOR
TECHNOLOGY

ITALDESIGN

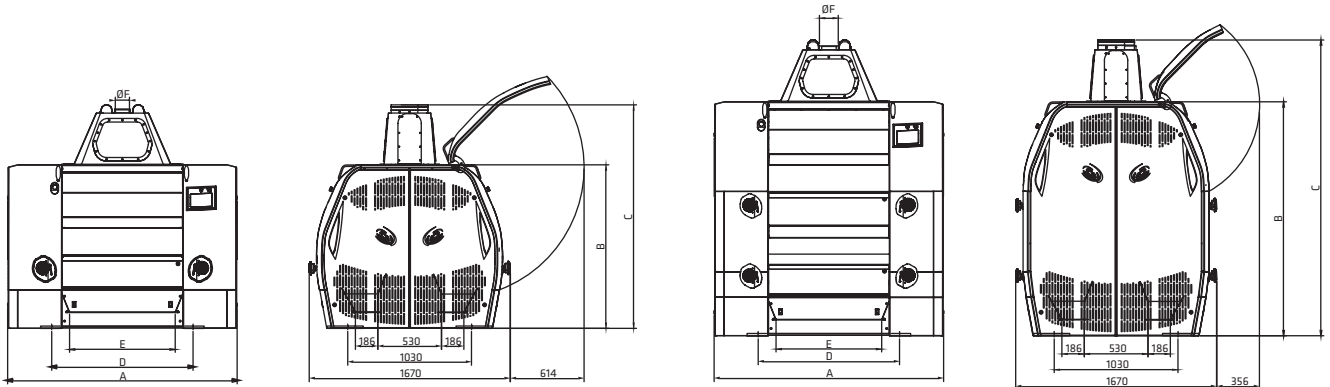
HENRY SIMON
MANCHESTER 1878

Front View

Side View

Front View

Side View



Single Deck Roller Mill

Double Deck Roller Mill

Technical Features

Model	Feed Rolls Motor (kW)	Weights (Kg)		Gross Volume (m ³)
		Net	Gross	
HSRM 4 x ø 250/800	0.75	3,220	3,519	7.9
HSRM 4 x ø 250/1000		3,440	3,761	8.7
HSRM 4 x ø 250/1250		3,680	4,029	9.7
HSRM 8 x ø 250/800*		5,552	5,897	10.2
HSRM 8 x ø 250/1000*		6,070	6,440	11.2
HSRM 8 x ø 250/1250*		6,850	7,251	12.5
HSRM 4 x ø 300/1000		4,120	4,441	8.7
HSRM 4 x ø 300/1250		4,360	4,709	9.7
HSRM 8 x ø 300/1000*		7,430	7,800	11.2
HSRM 8 x ø 300/1250*		8,210	8,611	12.5

* Double Deck Roller Mill

Dimensions (mm)

Model	A	B	C	D	E	øF
HSRM 4 x ø 250/800	1,708	1,360	1,858	976	680	ø 120 ø 150
HSRM 4 x ø 250/1000	1,908	1,360	1,858	1,176	880	
HSRM 4 x ø 250/1250	2,158	1,360	1,858	1,426	1,130	
HSRM 8 x ø 250/800*	1,708	1,945	2,458	976	680	
HSRM 8 x ø 250/1000*	1,908	1,945	2,458	1,176	880	
HSRM 8 x ø 250/1250*	2,158	1,945	2,458	1,426	1,130	
HSRM 4 x ø 300/1000	1,908	1,360	1,858	1,176	880	
HSRM 4 x ø 300/1250	2,158	1,360	1,858	1,426	1,130	
HSRM 8 x ø 300/1000*	1,908	1,945	2,458	1,176	880	
HSRM 8 x ø 300/1250*	2,158	1,945	2,458	1,426	1,130	

* Double Deck Roller Mill

*Henry Simon reserves the right to change, delete, or otherwise modify the information which is represented without any prior notice.