

# TRIEUR MACHINE

HSTTRA

---

The Trieur Machine is used to separate round particles which are smaller than wheat kernels, broken wheat kernels, and particles longer than wheat kernels in grain cleaning, packing plants and flour mills.

---

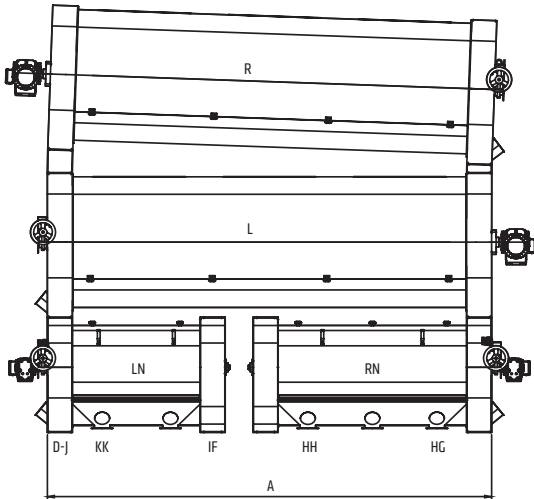
## Features & Advantages

---

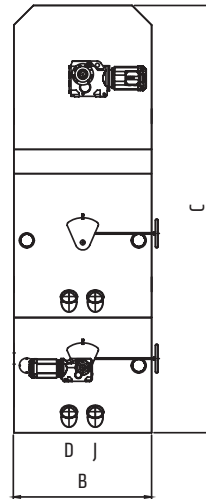
- Flexibility of the main and control cylinders selection. (i.e. on to four pieces of independent cylinder.)
- 



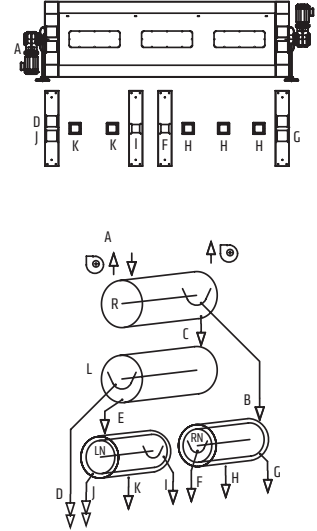
Front View



Side View



Top View



### Technical Features

Model	* Capacity (TPH)	Indent Cylinder Dimensions (mm)						Power Requirements (kW)		Air Requirement	
		RL		RN		LN		RL	RN - LN	(m <sup>3</sup> /min)	Pa
		ø	Lenght	ø	Lenght	ø	Lenght				
HSTTRA 1020 R-L-RN-LN	1	400	1,000	400	350	400	250	0.37	0.37	12	
HSTTRA 2020 R-L-RN-LN	2		2,000		480		350	0.55	0.37	14	200
HSTTRA 3020 R-L-RN-LN	3		1,500		570		430	0.75	0.55	18	250
HSTTRA 4020 R-L-RN-LN	4		2,000		650		480	0.75	0.55	18	250
HSTTRA 5020 R-L-RN-LN	5		2,500		750		550	1.1	0.55	18	
HSTTRA 6020 R-L-RN-LN	6		3,000		850		650	1.5	0.55	18	250
HSTTRA 8020 R-L-RN-LN	8		2,000		950		590	2.2	1.1	24	300
HSTTRA 10020 R-L-RN-LN	10		2,500		1,150		850	3	1.1	24	300
HSTTRA 12020 R-L-RN-LN	12		3,000		1,430		945	3	1.1	24	300
HSTTRA 16020 R-L-RN-LN	16		4,000		1,800		1,430	4	1.1	24	300

### Dimensions (mm)

Model	A	B	C
HSTTRA 1020 R-L-RN-LN	2,024	600	2,343
HSTTRA 2020 R-L-RN-LN	3,024	600	2,377
HSTTRA 3020 R-L-RN-LN	2,517	800	2,760
HSTTRA 4020 R-L-RN-LN	3,017	800	2,777
HSTTRA 5020 R-L-RN-LN	3,416	800	2,794
HSTTRA 6020 R-L-RN-LN	4,016	1,100	2,812
HSTTRA 8020 R-L-RN-LN	3,240	1,100	3,378
HSTTRA 10020 R-L-RN-LN	3,738	1,100	3,395
HSTTRA 12020 R-L-RN-LN	4,238	1,100	3,413
HSTTRA 16020 R-L-RN-LN	5,088	1,100	3,443

K	Sieve throughs LN
J	Sieve overs LN
I	Shell product LN
H	Sieve throughs RN
G	Sieve overs RN
F	Trough product RNz
E	Shell product L
D	Trough product L
C	Shell product R
B	Trough product R
A	Inlet
R	Round grain cylinder
L	Long grain cylinder
RN	Round grain re-separation cylinder
LN	Long grain re-separation cylinder

\*Henry Simon reserves the right to change, delete, or otherwise modify the information which is represented without any prior notice.