

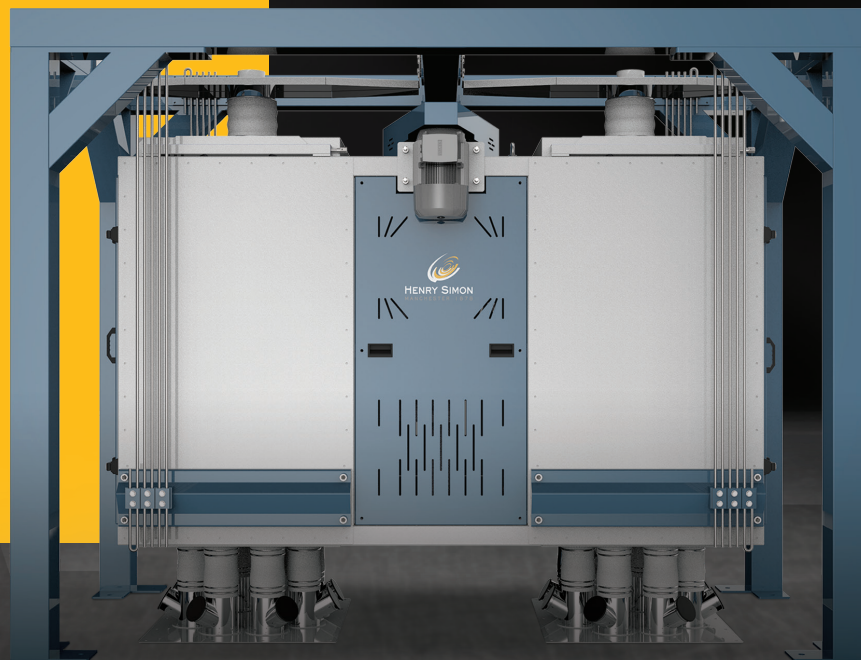
TWO CHANNEL SIFTER

HSDKES

HSDKES is a two channel version of HSRKEM control sifter, which is designed for higher capacities and limited spaces. The machines allows to reach up to 12 tons/hour* flour sifting capacity with an excellent efficiency.

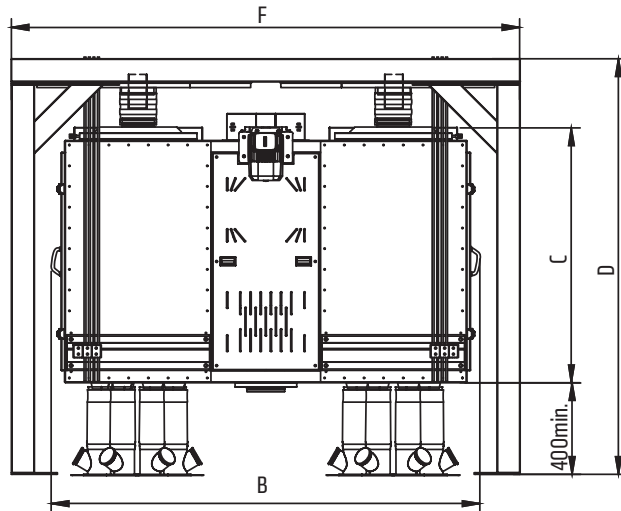
Features & Advantages

- Reinforced chassis design to endure vibration
- Adjustable speed for different applications
- Up to twelve separations per deck
- Safety cut-out switch
- Quiet operation

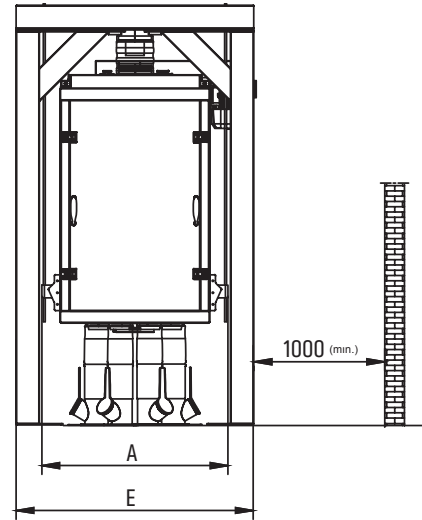


**The capacity value is given for 300 micron mesh opening for generic wheat flour.*

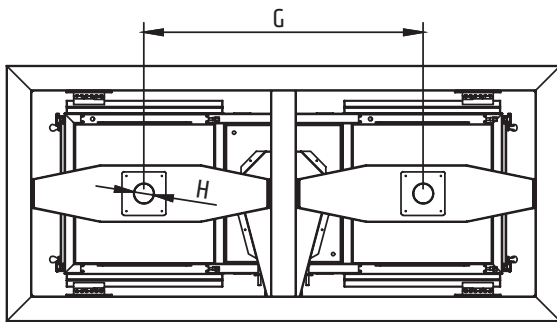
↓ Front View



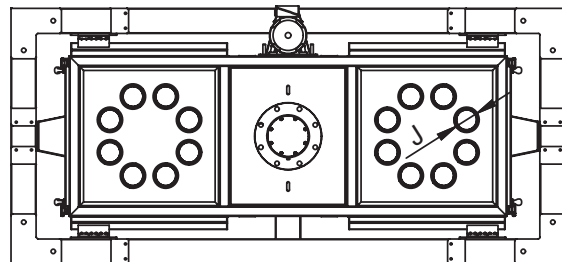
↓ Side View



↓ Top View



↓ Bottom View



Technical Features

Model	Motor Power (kW)	Eccentricity (mm)	Net Sifting Area (micron)	Mesh Opening	* Capacity (TPH)	Weight (Kg)		Gross Volume (m ³)
						Net	Gross	
HSDKES 85/24	2.2	60-65	12	200 Nylon	6	1,650	1,850	12
				250 Nylon	9			
				280 Nylon	10			
				355 Nylon	13			
				612 Inox	16			
				750 Inox	21			

Dimensions (mm)

Model	A	B	C	D	E	F	G	øH	øj
HSDKES 85/24	1,200	2,675	1,660	2,500	1,525	3,300	1,660	120 150	140

* Capacity figures may vary according to the type and humidity content of product.

*Henry Simon reserves the right to change, delete, or otherwise modify the information which is represented without any prior notice.