

VIBRO SIFTER

HSDVSI

Features & Advantages

The HSDVSI Vibro Sifter is designed for sifting milled grains, by the centrifugal force of a rotating cylindrical metal sieve. It is generally used after air filter and bran finisher to dissolve aggregated product due to high moisture.

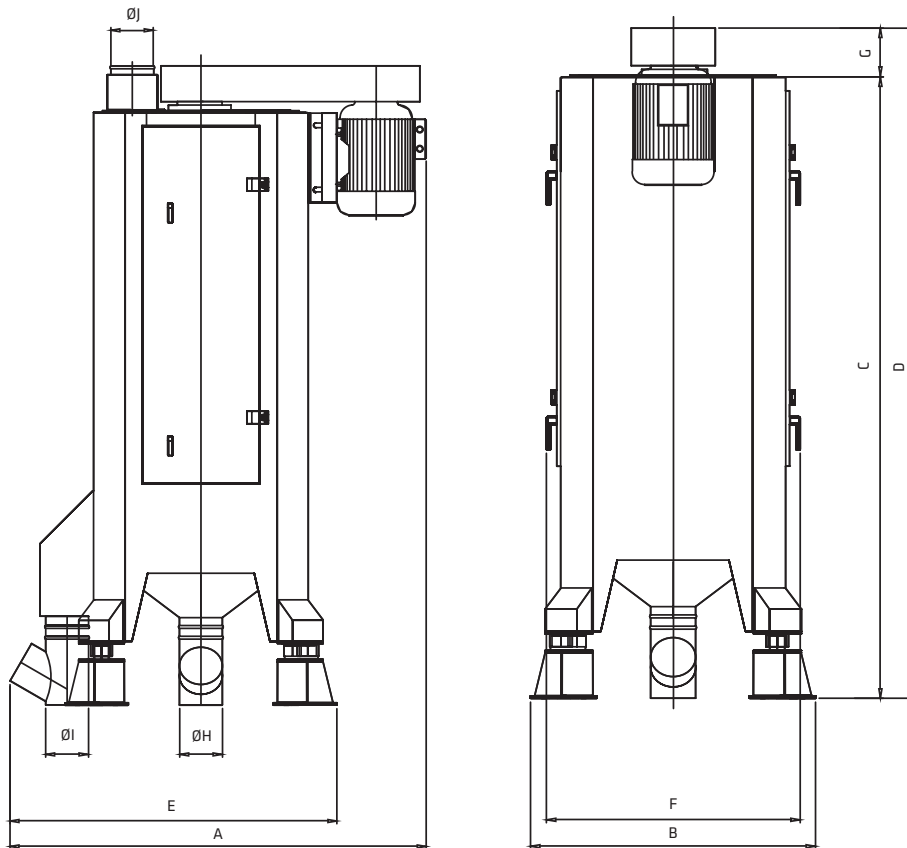
- Low energy consumption and high output
 - Quick and easy screen replacement
 - Durability and long lifetime
 - Quiet operation
-



HENRY SIMON
MANCHESTER 1878

↓ Front View

↓ Side View (RH)



Technical Features

Model	Capacity (TPH)	Motor Power (kw)	Weight (Kg)		Gross Volume (m³)
			Net	Gross	
HSDVSI 45/100	0.6 - 1.2	4	330	479	2.9

Dimensions (mm)

Model	A	B	C	D	E	F	G	ØI	ØH	ØJ	K
HSDVSI 45/100	1,150	760	1,665	1,775	890	745	130	120	120	120	375

*Henry Simon reserves the right to change, delete, or otherwise modify the information which is represented without any prior notice.