

HSKDMA CASCADE MAGNET

- Cascade Magnet is designed for high capacity grain intake and cleaning operations.

The three-stage magnetic separation process provides a very high efficiency in the separation of metal particles, whereas the magnet also offers ease of maintenance with the automatic cleaning feature.

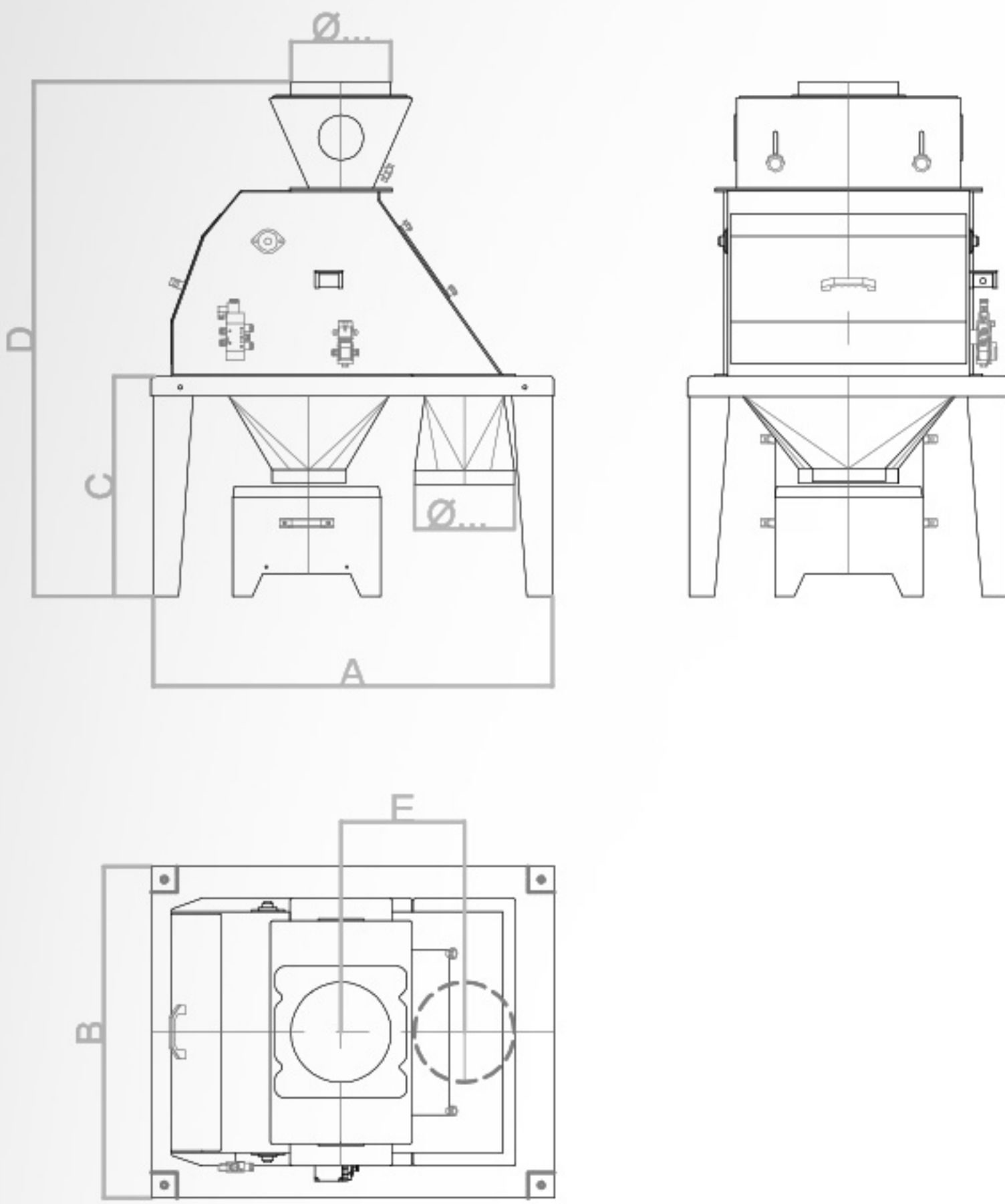
FEATURES

- High Capacity
- Strong Magnetic Field
- Pneumatic Self Cleaning System
- Increased Contact Surfaces
- Robust Structure
- PLC connection

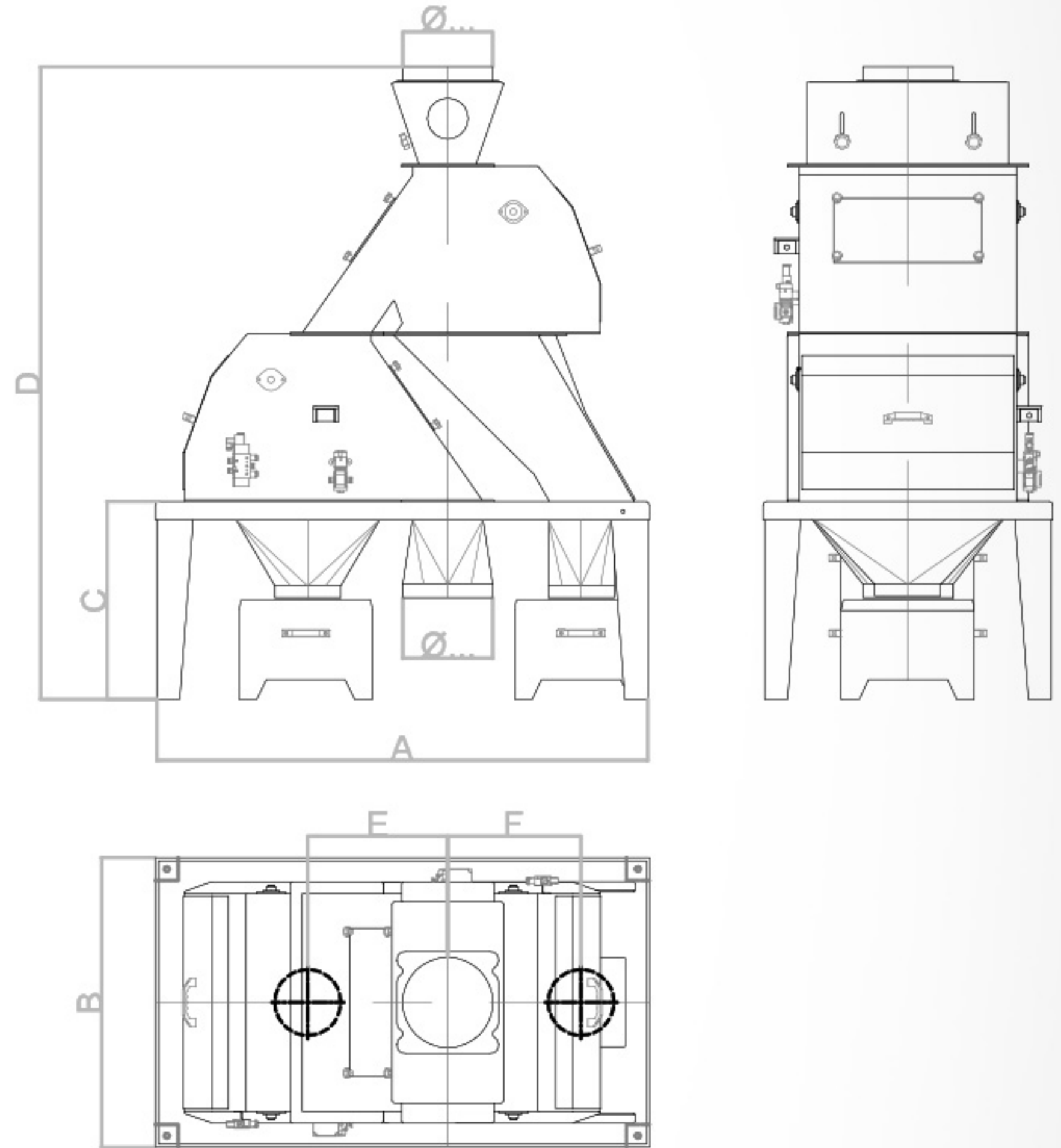


AUTOMATIC SEPERATOR MAGNET

TYPE A



TYPE B



MODEL MODELE	DIMENSIONS mm.						TECHNICAL FEATURES		
	A	B	C	D	E	F	Capacity m ³ /h		
HSKDMA 200x350 A	1100	600	600	1410	337	--	100		
HSKDMA 200x650 A		900					200		
HSKDMA 200x950 A		1200					300		
HSKDMA 200x350 B		600		1920	424	405	100		
HSKDMA 200x650 B		900					200		
HSKDMA 200x950 B		1200					300		