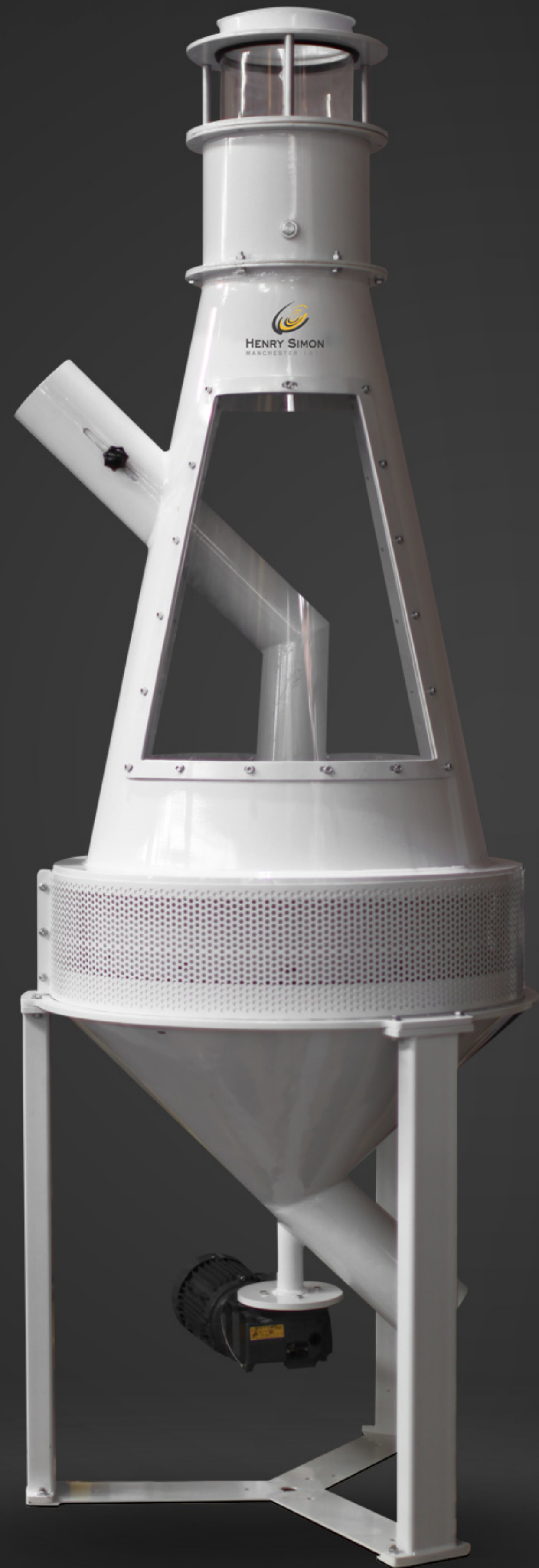


HSEPRA EPURATOR

- Epurator (Conical Aspirator) is designed to eliminate the dust, light particles and foreign materials from cereals with

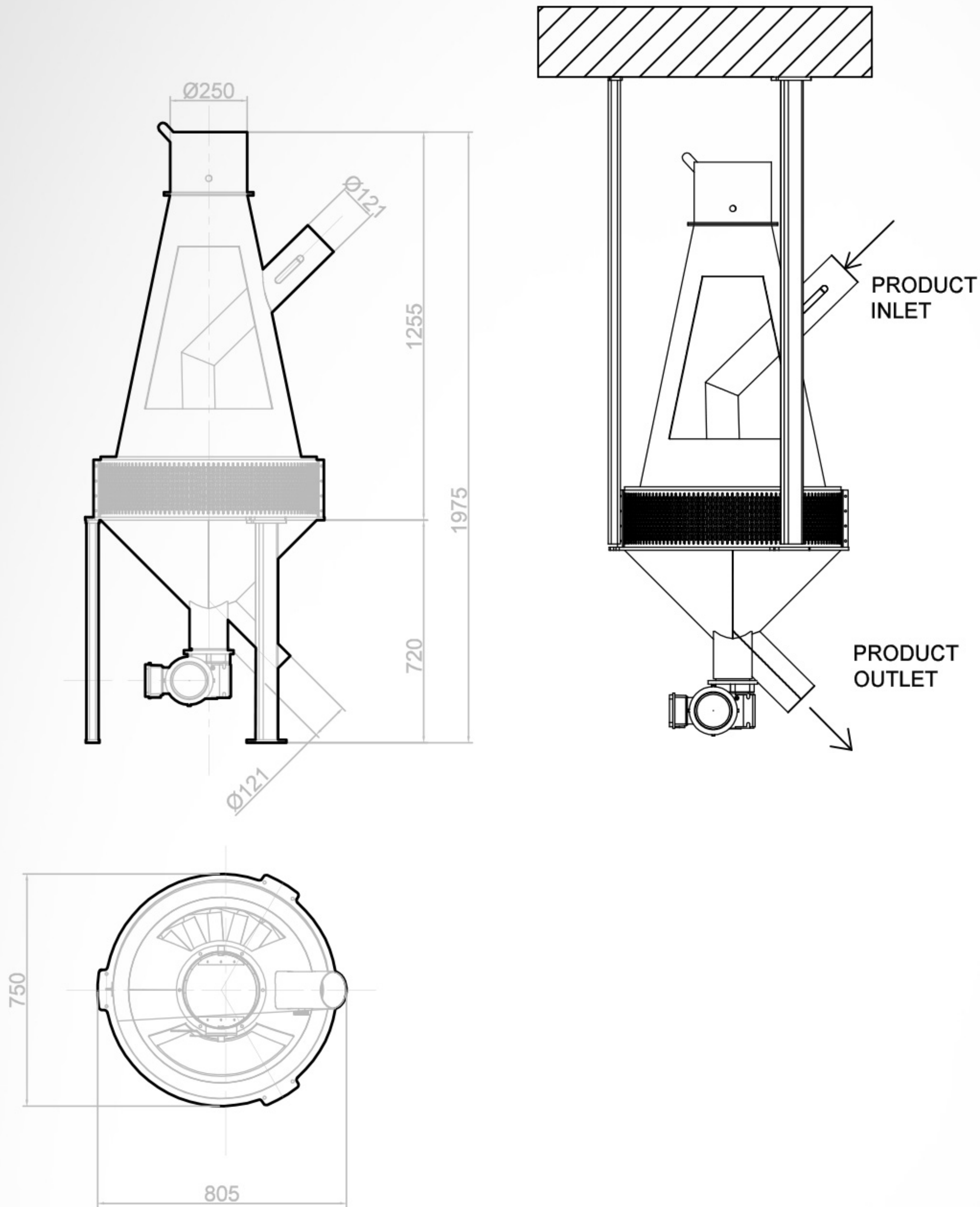
FEATURES

- High Efficiency
- Optimal Air Consumption
- Robust Construction
- Different Installation Possibilities



HSEPRA

EPURATOR



MODEL	HSEPRA 70		Aspiration (m ³ /min)	Gearmotor	Weight (kg)
Production	Capacity (t/h)				
Wheat	Crushed Maize	Grits	30		