

SILO DISCHARGER

HSPSUB & HSPSKB

The Silo Discharger is used to discharge flour (HSPSUB) , bran (HSPSKB) and similar type products from storage bins and concrete/ steel/plastics silos, ensuring smooth discharge operation.

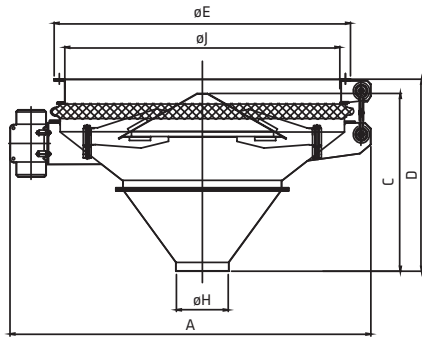
Features & Advantages

- Compact, but simple design
- Durability and long life span

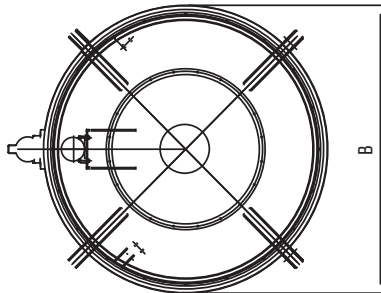


HPSUB

→ Front View

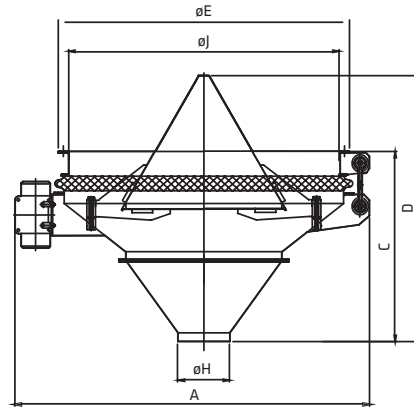


→ Top View

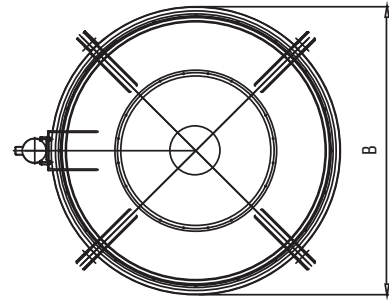


HPSKB

→ Front View



→ Top View



Technical Features

Model	Motor Power (kW)	Weight (Kg)		Gross Volume (m³)
		Net	Gross	
HPSUB 100 / 20	0.43	225	367	2.3
HPSUB 100 / 30			363	2.1
HPSUB 130 / 30	0.55	362	570	3.9
HPSUB 130 / 50			560	3.5
HPSUB 160 / 30			710	6.1
HPSUB 160 / 50	0.80	430	698	5.5
HPSUB 200 / 30			1,176	9.7
HPSUB 200 / 50			1,162	8.8

Model	Motor Power (kW)	Weight (Kg)		Gross Volume (m³)
		Net	Gross	
HPSKB 100 / 20	0.43	244	390	2.5
HPSKB 100 / 30			386	2.3
HPSKB 130 / 30	0.55	412	639	4.8
HPSKB 130 / 50			629	4.3
HPSKB 160 / 30			842	8.1
HPSKB 160 / 50	0.80	525	830	7.5
HPSKB 200 / 30			1,024	11.5
HPSKB 200 / 50			1,010	10.6

Dimensions (mm)

Model	A	B	C	D	øE	øH	øJ
HPSUB 100 / 20	1,400	1,100	570	783	1,058	200	958
HPSUB 100 / 30			500	714		300	
HPSUB 130 / 30	1,765	1,430	774	913	1,378	300	1,258
HPSUB 130 / 50			637	776		500	
HPSUB 160 / 30	2,060	1,730	1,010	1,090	1,678	300	1,558
HPSUB 160 / 50			872	953		500	
HPSUB 200 / 30	2,470	2,130	1,010	1,246	2,090	300	1,958
HPSUB 200 / 50			872	1,108		500	

Model	A	B	C	D	øE	øH	øJ
HPSKB 100 / 20	1,400	1,100	783	851	1,058	200	958
HPSKB 100 / 30			714	783		300	
HPSKB 130 / 30	1,765	1,430	913	1,173	1,378	300	1,258
HPSKB 130 / 50			776	1,035		500	
HPSKB 160 / 30	2,060	1,730	1,090	1,524	1,678	300	1,558
HPSKB 160 / 50			953	1,386		500	
HPSKB 200 / 30	2,470	2,130	1,246	1,524	2,090	300	1,958
HPSKB 200 / 50			1,108	1,386		500	

*Henry Simon reserves the right to change, delete, or otherwise modify the information which is represented without any prior notice.