

HSKFSA - HSKFYA

AIR JET FILTER

- Air Jet Filter is a dust collection unit, which is used for ambient cleaning purposes in flour mills.

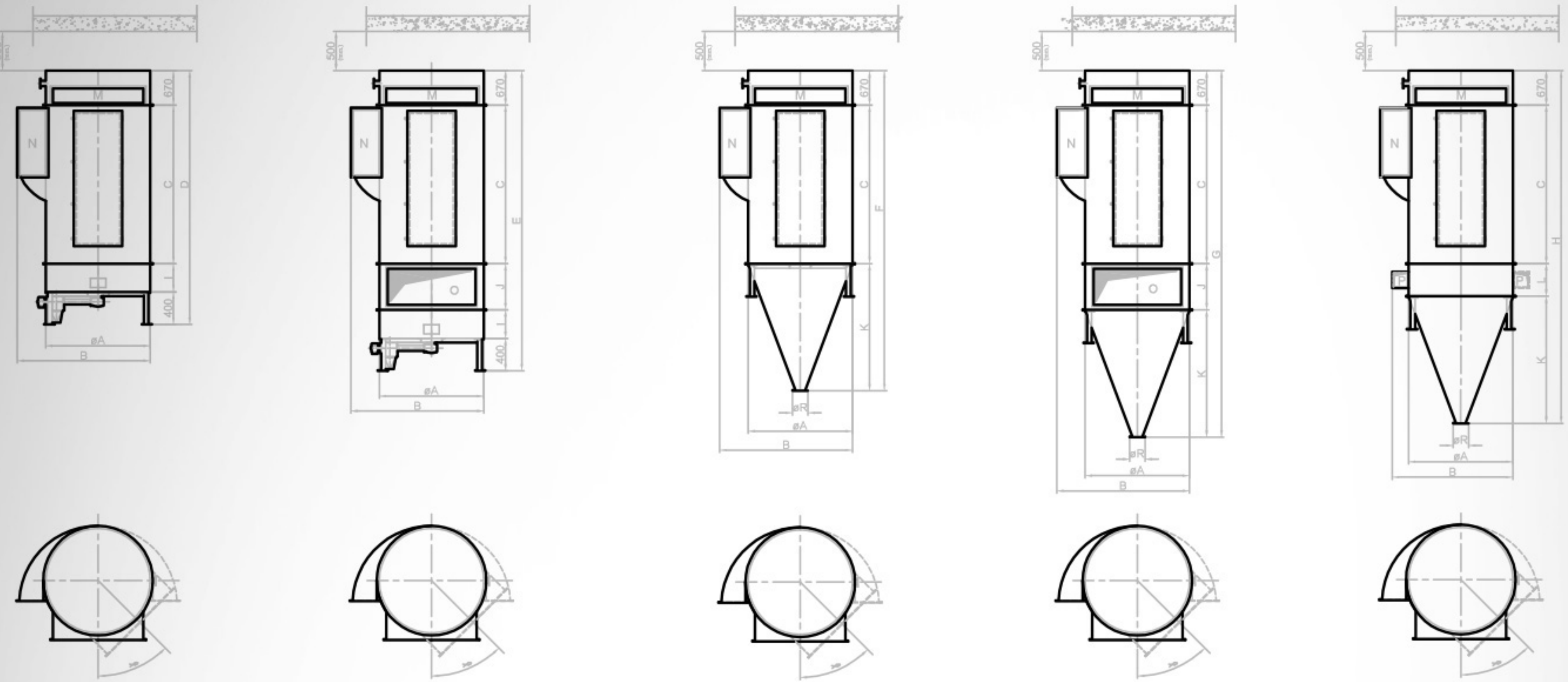
It works by collecting the dust and other particles which are suspended in the air.

FEATURES

- Strong Structure with Wide Inspection Doors
- Filter Sleeves Supported by Metallic Circular Cages with Quick Release Clamps
- Distribution Group with Solenoid Valve to Control rinsing valves
- Low Pressure Sleeve Cleaning System
- Electro-Pneumatic Control Unit for the working sequence of quick ventilation valves (nozzles) and venturi pipes
- Program Operation Settings (rinsing time, pause, etc)
- Internal Tank for Pressurized Air
- Direct Blower Connection without Air Tank

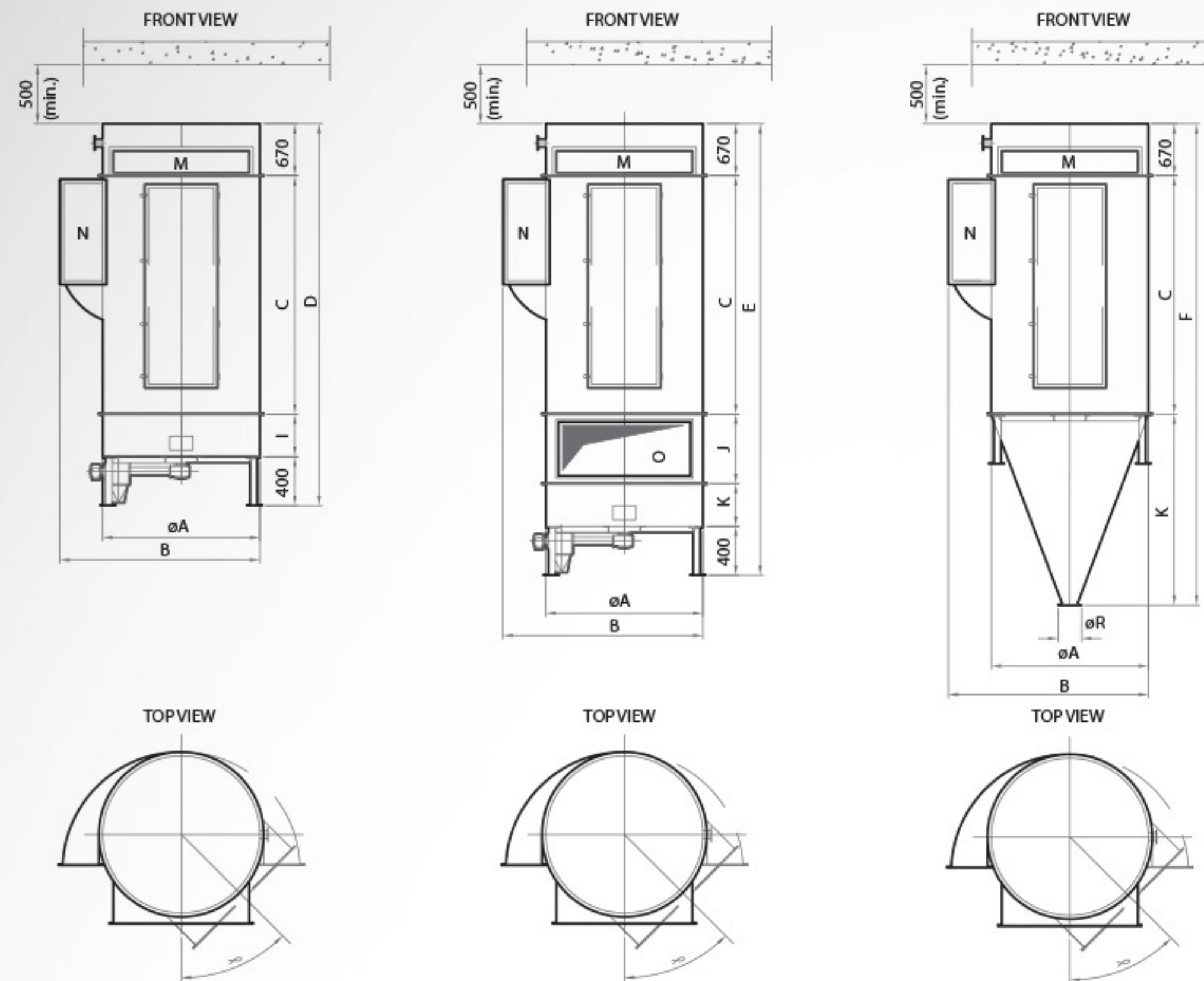


AIR JET FILTER



MODEL	HSKFSA 4				HSKFSA 10				HSKFSA 16				HSKFSA 24				HSKFSA 44				HSKFSA 52				HSKFSA 80				HSKFSA 104				HSKFSA 112								
	12	18	24	30	12	18	24	30	12	18	24	30	12	18	24	30	12	18	24	30	12	18	24	30	12	18	24	30	12	18	24	30	12	18	24	30					
Filtration area	m²				m²				m²				m²				m²				m²				m²				m²				m²								
aA	500				750				1000				1150				1450				1600				1950				2020				2200								
B	645				945				1215				1420				1750				1960				2495				2520				2745								
Hose Length	C	1200	1800	2400	3000	1200	1800	2400	3000	1200	1800	2400	3000	1200	1800	2400	3000	1200	1800	2400	3000	1200	1800	2400	3000	1200	1800	2400	3000	1200	1800	2400	3000	1200	1800	2400	3000	1200	1800	2400	3000
D	2670	3270	3870	4470	2670	3270	3870	4470	2670	3270	3870	4470	2670	3270	3870	4470	2670	3270	3870	4470	2670	3270	3870	4470	2670	3270	3870	4470	2670	3270	3870	4470	2670	3270	3870	4470	2670	3270	3870	4470	
E	3490	4090	4690	5290	3490	4090	4690	5290	3490	4090	4690	5290	3490	4090	4690	5290	3490	4090	4690	5290	3490	4090	4690	5290	3490	4090	4690	5290	3490	4090	4690	5290	3490	4090	4690	5290	3490	4090	4690	5290	
F	2370	2970	3570	4170	2370	2970	3570	4170	2370	2970	3570	4170	2370	2970	3570	4170	2370	2970	3570	4170	2370	2970	3570	4170	2370	2970	3570	4170	2370	2970	3570	4170	2370	2970	3570	4170	2370	2970	3570	4170	
G	3190	3790	4390	4990	3190	3790	4390	4990	3190	3790	4390	4990	3190	3790	4390	4990	3190	3790	4390	4990	3190	3790	4390	4990	3190	3790	4390	4990	3190	3790	4390	4990	3190	3790	4390	4990	3190	3790	4390	4990	
H	2610	3210	3810	4410	2845	3445	4045	4645	3380	3980	4580	5180	3600	4200	4800	5400	3918	4518	5118	5718	4178	4778	5378	5978	4780	5380	5980	6580	4934	5534	6134	6734	4934	5534	6134	6734	4934	5534	6134	6734	
I	400				400				400				400				400				400				400				400												
Anti Explosion (option)	J	820				820				820				820				820				820				820				820											
K	500				700				1190				1380				1658				1878				2500				2534				2900								
L	240				275				320				350				390				430				480				530				580								
Exhaust normal / large	M	280 x 150				280 x 360				280 x 520				280 x 520				280 x 800				280 x 1150				280 x 1450				280 x 1750				280 x 2050							
Inlet normal / large	N	100 x 200				150 x 300				215 x 400				270 x 500				300 x 650				360 x 750				500 x 850				500 x 1250				500 x 1250							
O	380 x 480				380 x 480				380 x 640				380 x 640				380 x 810				640 x 1150				640 x 1320				640 x 1490				640 x 1660								
P	80 x 80				115 x 115				160 x 160				190 x 190				230 x 230				270 x 270				300 x 300				350 x 350				380 x 400								
aR	160				160				160				160				160				160				160				160				160								
Revolving Gap Casket	30°				30°				15°				15°				12°				12°				9°				9°				9°								
Sleeves	4				9				10				11				12				13				14				15				15								
Weight	Kg	Net	187	211	234	257	388	442	495	549	639	728	817	907	749	854	958	1063	1138	1295	1453	1610	1377	1561	1747	1958	2037	2307	2575	2845	2625	3002	3379	4686	2808	3212	3615	5014			
		Gross	356	412	469	524	625	723	820	917	948	1090	1232	1375	1109	1273	1437	1601	1563	1788	2013	2237	1871	2131	2393	2679	2674	3035	3394	3754	3321	3795	4268	5671	3553	4080	4566	6068			
Gross volume	m³		2,7	3,3	3,9	4,5	4,6	5,6	6,8	7,8	7	8,5	10,2	11,8	8,8	10,7	12,7	15,2	11,1	13,8	16,4	18,9	13,8	16,9	20,2	23,2	19,5	24	28,4	32,9	22,5	27,6	32,8	38	24	29,5	35	40			

AIR JET FILTER



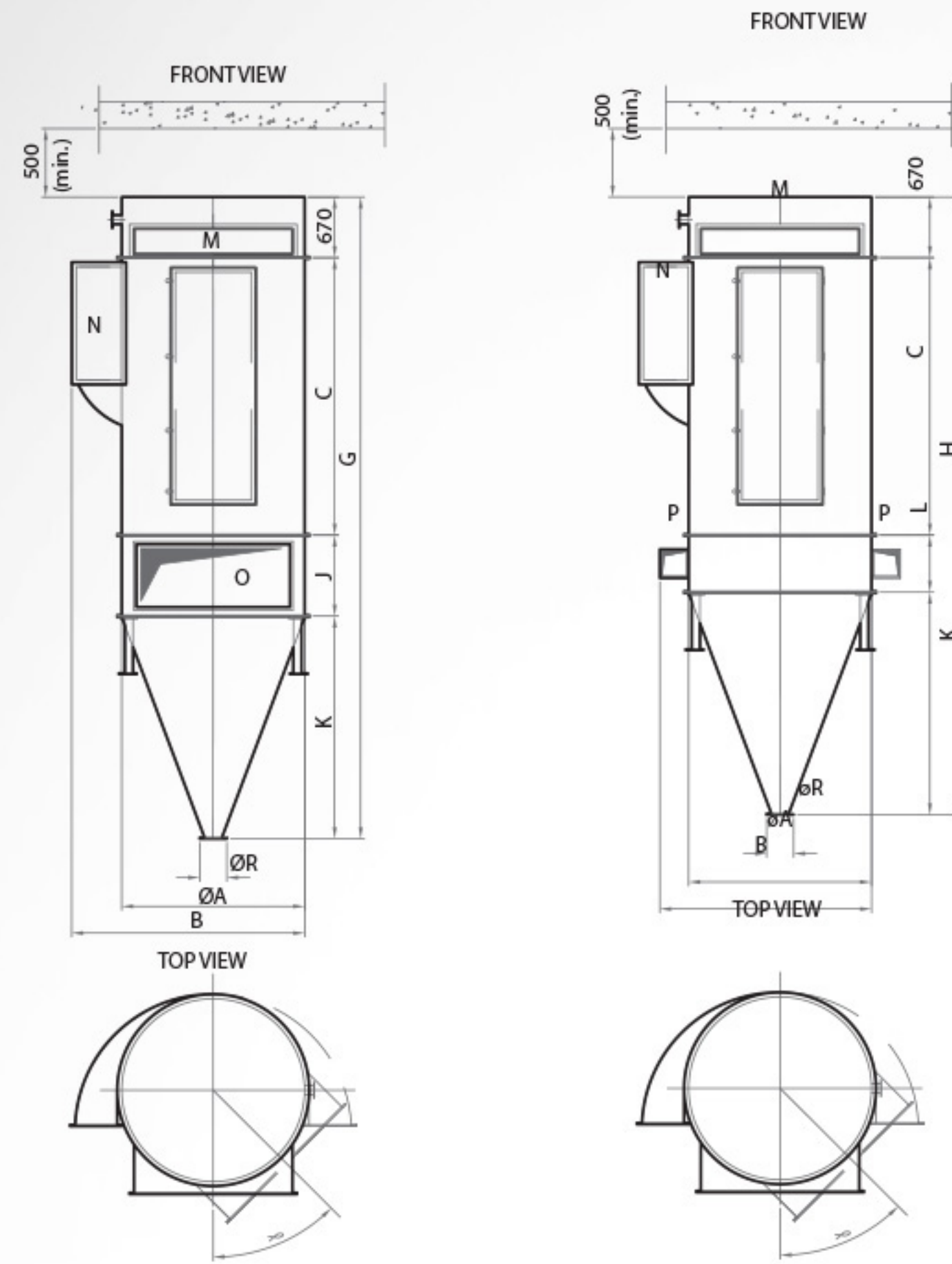
TECHNICAL FEATURES

Model	KFS4								KFS10								KFS15								KFS24								KFS44							
	12	18	24	30	12	18	24	30	12	18	24	30	12	18	24	30	12	18	24	30	12	18	24	30	12	18	24	30												
Filtration area (m ²)	1.7	2.6	3.4	4.0	3.2	4.8	6.4	7.5	6.0	9.0	12.0	14.0	11.0	16.5	22.0	26.0	21.0	31.5	42.0	49.0	16.0	24.0	32.0	39.0	16.0	24.0	32.0	39.0												
Nr of Sleeves	4																																							
Weight (kg)	Net	187	211	234	257	280	303	326	349	372	395	418	441	464	487	510	533	556	579	602	625	648	671	694	717	740	763	786												
	Gross	356	412	468	524	580	636	692	748	804	860	916	972	1028	1084	1140	1196	1252	1308	1364	1420	1476	1532	1588	1644	1700	1756	1812												
Gross Volume (m ³)	2.7	3.3	3.9	4.5	4.4	5.4	6.4	7.4	7.3	8.7	10.3	11.9	11.8	14.1	16.7	19.3	19.2	22.8	27.6	32.4	32.3	38.4	45.6	51.7	51.6	58.8	66.0													

DIMENSIONS (mm)

Model	KFS4				KFS10				KFS15				KFS24				KFS44			
	12	18	24	30	12	18	24	30	12	18	24	30	12	18	24	30	12	18	24	30
ØA	500				750				1000				1150				1450			
B	645				945				1215				1420				1750			
C (Sleeve Length)	1200	1800	2400	3000	1200	1800	2400	3000	1200	1800	2400	3000	1200	1800	2400	3000	1200	1800	2400	3000
D	2670	3270	3870	4470	2670	3270	3870	4470	2670	3270	3870	4470	2670	3270	3870	4470	2670	3270	3870	4470
E	3490	4090	4690	5290	3490	4090	4690	5290	3490	4090	4690	5290	3490	4090	4690	5290	3490	4090	4690	5290
F	2370	2970	3570	4170	2370	2970	3570	4170	2370	2970	3570	4170	2370	2970	3570	4170	2370	2970	3570	4170
G	3190	3790	4390	4990	3190	3790	4390	4990	3190	3790	4390	4990	3190	3790	4390	4990	3190	3790	4390	4990
H	2610	3210	3810	4410	2845	3445	4045	4645	3380	3980	4580	5180	3600	4200	4800	5400	3918	4518	5118	5718
I	400				400				400				400				400			
J (Anti explosion - option)	820				820				820				820				820			
K	500				700				1190				1380				1658			
L	240				275				320				350				390			
M (Exhaust normal / Large)	280 x 150				280 x 360				280 x 520				280 x 520				280 x 800			
N (Inlet normal / Large)	100 x 200				150 x 300				215 x 400				270 x 500				300 x 650			
O	380 x 480				380 x 480				380 x 640				380 x 640				380 x 810			
P	80 x 80				115 x 115				160 x 160				190 x 190				230 x 230			
ØR	160				160				160				160				160			
Rotating gap casket	30°				30°				15°				15°				12°			

AIR JET FILTER



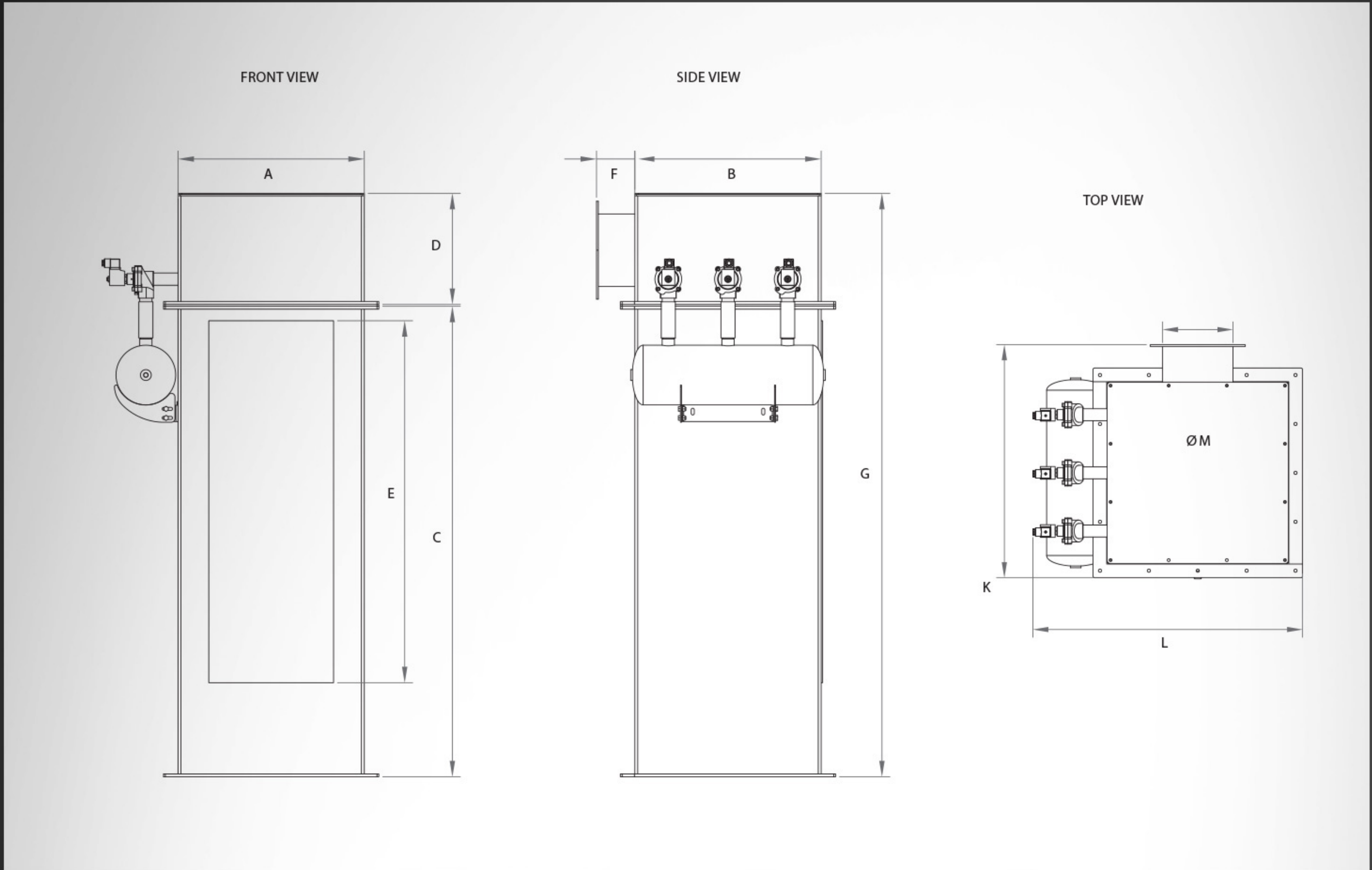
TECHNICAL FEATURES

Model	KPSA S2				KPSA S0				KPSA 104				KPSA 112			
	12	18	24	30	12	18	24	30	12	18	24	30	12	18	24	30
Filtration area (m ²)	21	33.2	45	56.8	21	33.2	45	56.8	21	33.2	45	56.8	21	33.2	45	56.8
Nr of Sleeves	13															
Weight (kg)	Net	1377	1561	1747	1933	2017	2203	2389	2473	2659	2845	3031	3217	3301	3487	3673
	Gross	1871	2131	2391	2651	2735	2921	3107	3191	3377	3563	3749	3935	4019	4205	4391
Gross Volume (m ³)	13.8	16.9	20.2	23.2	18.5	23	28.1	33.2	18.5	23	28.1	33.2	18.5	23	28.1	33.2

DIMENSIONS (mm)

Model	KPSA S2				KPSA S0				KPSA 104				KPSA 112			
	12	18	24	30	12	18	24	30	12	18	24	30	12	18	24	30
ØA	1600				1950				2020				2200			
B	1960				2495				2520				2745			
C (Sleeve Length)	1200	1800	2400	3000	1200	1800	2400	3000	1200	1800	2400	3000	1200	1800	2400	3000
D	2670	3270	3870	4470	2670	3270	3870	4470	2670	3270	3870	4470	2670	3270	3870	4470
E	3490	4090	4690	5290	3490	4090	4690	5290	3490	4090	4690	5290	3490	4090	4690	5290
F	2370	2970	3570	4170	2370	2970	3570	4170	2370	2970	3570	4170	2370	2970	3570	4170
G	3190	3790	4390	4990	3190	3790	4390	4990	3190	3790	4390	4990	3190	3790	4390	4990
H	4178	4778	5378	5978	4780	5380	5980	6580	4934	5534	6134	6734	4934	5534	6134	6734
I	400				400				400				400			
J (Anti explosion - option)	820				820				820				820			
K	1878				2500				2534				2600			
L	430				480				530				580			
M (Exhaust normal / Large)	280 x 1150				280 x 1450				280 x 1750				280 x 2050			
N (Inlet normal / Large)	360 x 750				500 x 850				500 x 1250				500 x 1250			
O	640 x 1150				640 x 1320				640 x 1490				640 x 1660			
P	270 x 270				300 x 300				350 x 350				380 x 400			
ØR	160				160				160				160			
Revolving speed (rpm)	12°				9°				9°				9°			

AIR JET FILTER



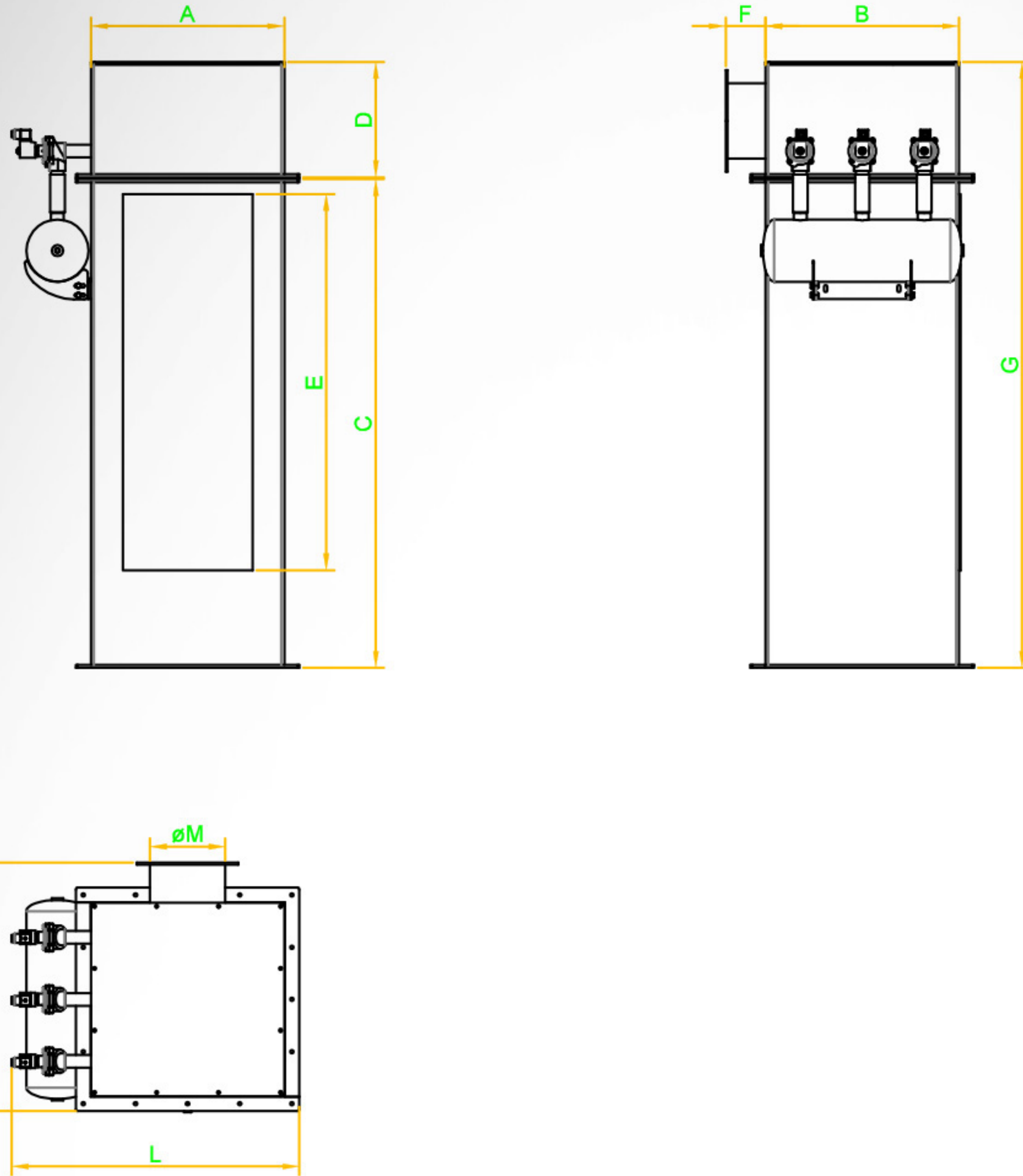
TECHNICAL FEATURES

Model	KFYA 4				KFYA 6				KFYA 9				KFYA 16				KFYA 24			
	8	12	18	24	8	12	18	24	8	12	18	24	8	12	18	24	8	12	18	24
Nr of Sleeves	4				6				9				16				24			

DIMENSIONS (mm)

Model	KFYA 4				KFYA 6				KFYA 9				KFYA 16				KFYA 24			
	8	12	18	24	8	12	18	24	8	12	18	24	8	12	18	24	8	12	18	24
Filtration area (m ²)	1.1	1.6	2.4	3.2	1.6	2.4	3.6	4.8	2.4	3.6	5.4	7.2	4.3	6.4	9.6	12.8	6.4	9.6	14.4	19.2
A	350				515				515				680				1010			
B	350				350				515				680				680			
C (Sleeve Length)	900	1300	1900	2500	900	1300	1900	2500	900	1300	1900	2500	900	1300	1900	2500	900	1300	1900	2500
Ø D	257				307				307				307				307			
E	600	1000	1600	1600	600	1000	1600	1600	600	1000	1600	1600	600	1000	1600	1600	600	1000	1600	1600
F	100				100				100				100				100			
G	1163	1563	2163	2763	1212	1612	2212	2812	1212	1612	2212	2812	1212	1612	2212	2812	1212	1612	2212	2812
K	490				496				661				826				826			
L	606				766				766				931				1261			
ØM (Exhaust normal / Large)	200				200				200				200				200			

AIR JET FILTER



MODEL MODELE		KFSA - 4				KFSA - 6				KFSA - 9				KFSA - 16				KFSA - 24					
		08	12	18	24	08	12	18	24	08	12	18	24	08	12	18	24	08	12	18	24		
Filtration area Aire de Filtration		m².																					
DIMENSIONS mm.	A	350				515				515				680				1010					
	B	350				350				515				680				680					
	Hose length Longueur des manches	900	1300	1900	2500	900	1300	1900	2500	900	1300	1900	2500	900	1300	1900	2500	900	1300	1900	2500		
	øD	257				307				307				307				307					
	E	600	1000	1600	1600	600	1000	1600	1600	600	1000	1600	1600	600	1000	1600	1600	600	1000	1600	1600		
	F	100				100				100				100				100					
	G	1163	1563	2163	2763	1212	1612	2212	2812	1212	1612	2212	2812	1212	1612	2212	2812	1212	1612	2212	2812		
	K	490				496				661				826				826					
	L	606				766				766				931				1261					
Exhaust normal / large Cheminée normale / large	200				200				200				200				200						
TECHNICAL FEATURES CARACTERISTIQUES TECHNIQUES	Sleeves Manche	4				6				9				16				24					
	Weights Poids	Kg.	Net																				
			Gross Brut																				
Gross volume Volume sous emballage	m³.																						