

SCALE

HSKBTA-C

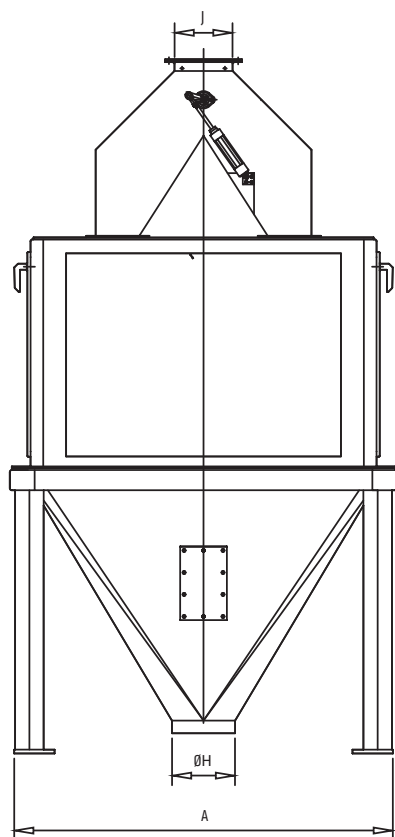
The HSKBTA-C scale is used for accurate weighing process in high capacity continuous product flow operations. HSKBTA-C is a batch type weighing unit, mainly designed for granular or powdered products. The scale allows tracking of the product feed and flow rate information by the PLC connection.

Features & Advantages

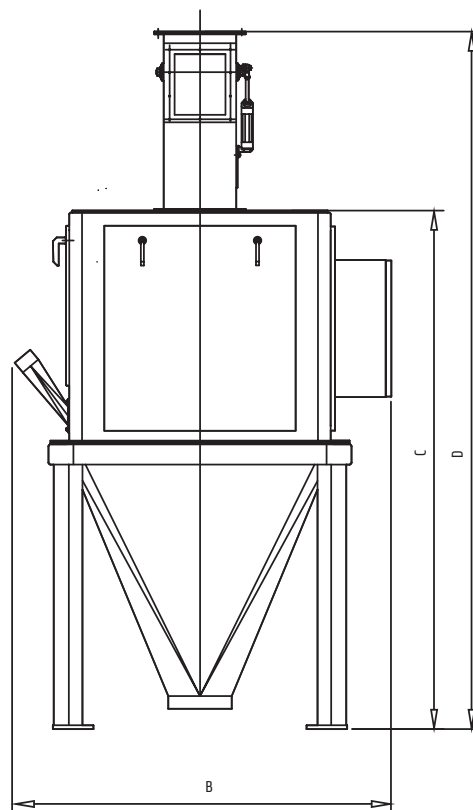
- Low Maintenance Requirement
- Maximum Hygiene
- High Capacity
- Durability



↓ Front View



↓ Side View



Technical Features

Model	Capacity (TPH)		Weight (Kg)		Gross Volume (m³)
	Wheat	Flour	Net	Gross	
HSKBTA-C 100	33	24	506	722	5.1
HSKBTA-C 200	55	49	450	744	8.0
HSKBTA-C 300	101	74	840	1,110	6.6
HSKBTA-C 500	160	123	1,080	1,061	9.9
HSKBTA-C 900	253	195	1,400	1,841	13.8

Dimensions (mm)

Model	A	B	C	D	E	J
HSKBTA-C 100	1,080	1,414	1,570	2,032	250	280 x 280
HSKBTA-C 200	1,329	1,595	1,925	2,509	300	304 x 360
HSKBTA-C 300	1,560	1,788	1,020	1,537	350	354 x 380
HSKBTA-C 500	1,820	2,060	1,208	1,813	400	400 x 400
HSKBTA-C 900	2,075	2,313	1,370	2,062	450	465 x 458

*Henry Simon reserves the right to change, delete, or otherwise modify the information which is represented without any prior notice.