

HSPTYA

SEMI AUTOMATIC PACKAGING MACHINE

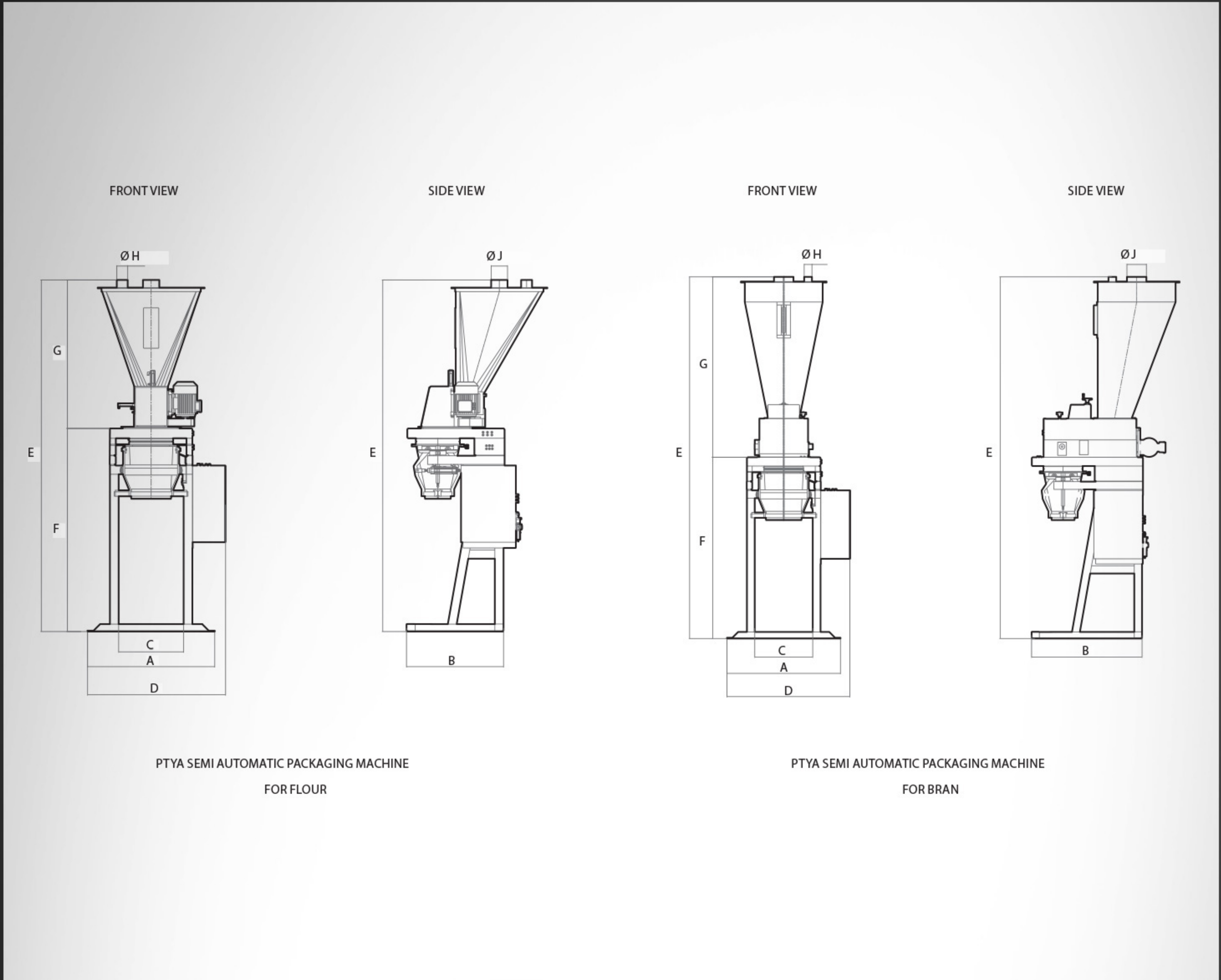
- It is used for the packaging process of granular and powdered products in 10 kg, 25 kg, and 50 kg polypropylene bags, and ideal for low production capacities.

FEATURES

- Simple Operation
- Hygenic Construction
- Pneumatic Bag Spout Tightening System



SEMI AUTOMATIC PACKAGING MACHINE



TECHNICAL FEATURES

Model	Capacity* (bags/hour)	Motor Power (kW)	Weight (kg)		Gross Volume (m ³)
			Net	Gross	
PTYA	120	2.2	500	1250	40,1

DIMENSIONS (mm)

Model	A	B	C	D	E	F	G	ØH	ØJ
PTYA	1166	890	596	1266	3224	1862	1362	100	150

TECHNICAL FEATURES

Model	Capacity* (40 kg bags/h)	Motor Power (kW)	Weight (kg)		Gross Volume (m ³)
			Net	Gross	
PTYA	120	0.75	750	1250	40,1

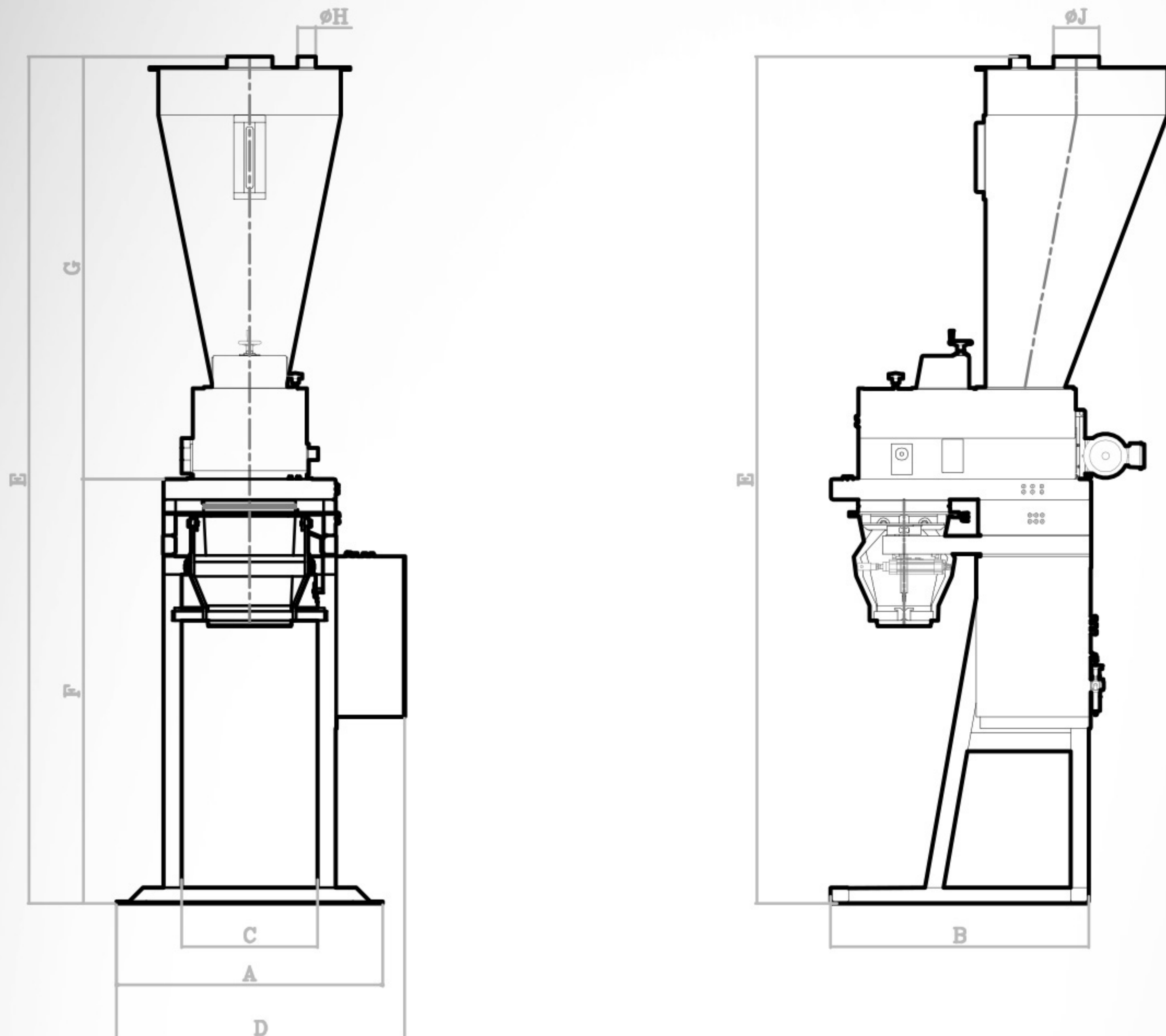
DIMENSIONS (mm)

Model	A	B	C	D	E	F	G	ØH	ØJ
PTYA	1166	1135	596	1266	3715	1862	1853	80	200

*Capacities are given at maximum values, and the figures are also related to the number of operators.

HSPTYA

SEMI AUTOMATIC PACKAGING MACHINE

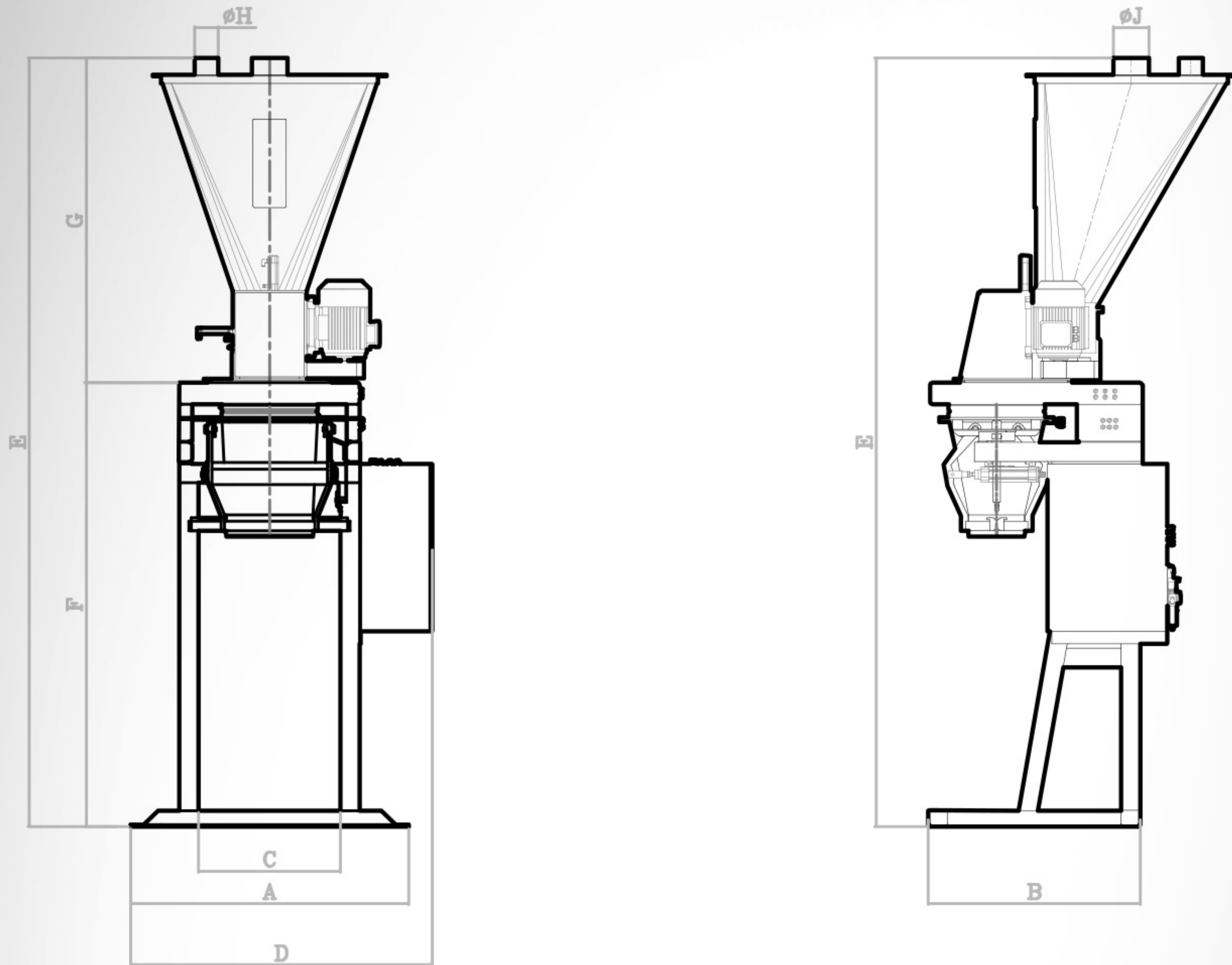


MODEL MODELE	DIMENSIONS mm.									TECHNICAL FEATURES				
	A	B	C	D	E	F	G	øH	øJ	Capacity Bag Spout Number	Motor (Kw)	Weight Kg		Gross volume m ³
												Net	Gross	
HSPTYA-Bran	1166	1135	596	1266	3715	1862	1853	80	200	120	0,75	750	1250	40.1

HENRY SIMON
MANCHESTER 1878

HSPTYA

SEMI AUTOMATIC PACKAGING MACHINE



MODEL	DIMENSIONS mm.									TECHNICAL FEATURES				
	A	B	C	D	E	F	G	øH	øJ	Capacity Bag Spout Number	Motor Power (Kw)	Weight Kg		Gross volume m ³
												Net	Gross-Brut	
HSPTYA-Flour 1166	890	596	1266	3224	1862	1362	100	150	120	2.2	500	1250	40.1	