

# DESTONER CLASSIFIER

## HSTKTD

The Destoner Classifier (HSTKTD) is used for removal of the stones, metal particles, and mud balls etc. from the grain. It is also practically used to sort the grain into heavy and light fractions by aspiration.

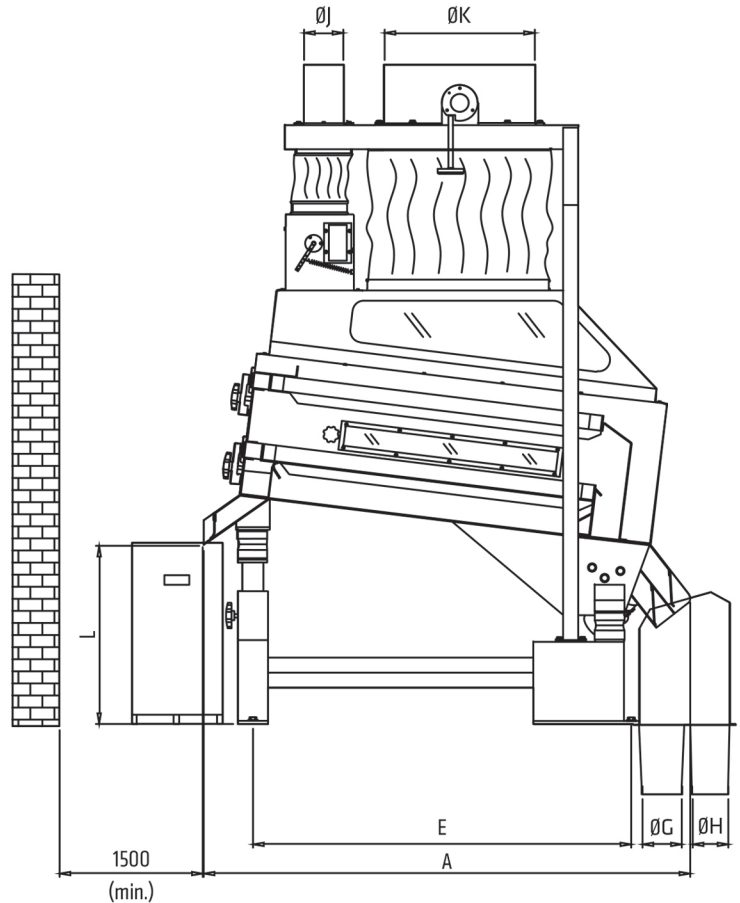
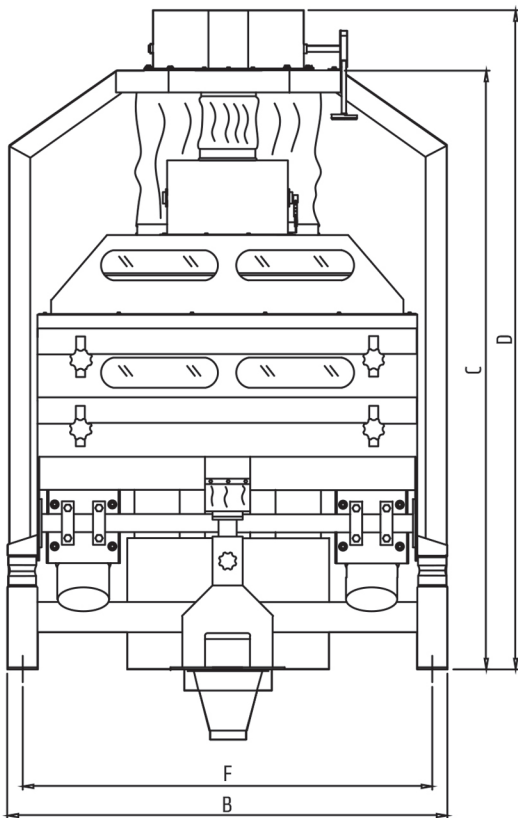
## Features & Advantages

- Easy and quick screen replacement
- Durability and long life span
- Precise adjustment of screen inclination and air flow rate



↓ Front View

↓ Side View



## Technical Features

Model	* Capacity (TPH)	Motor Power (kW)	Air Requirement (m <sup>3</sup> /min)	Weight (Kg)		Gross Volume (m <sup>3</sup> )
				Net	Gross	
HSTKTD 80	8	2 x 0.35	80	570	633	5.9
HSTKTD 120	16	2 x 0.68	120	650	732	7.7
HSTKTD 180	24	2 x 1.1	230	790	899	10.3

## Dimensions (mm)

Model	A	B	C	D	E	F	ØG	ØH	ØJ	ØK	L
HSTKTD 80	1,610	1,050	2,000	2,200	1,257	950	121	121	120	400	500
HSTKTD 120		1,450				1,356	133	121	150	500	
HSTKTD 180		2,000				1,900	192	150	200	600	

\* Capacities are given based on wheat with the specific gravity of 0.78-0.80 kg/dm<sup>3</sup>, and they can change depending on the variety, initial condition and contamination of product.

\*Henry Simon reserves the right to change, delete, or otherwise modify the information which is represented without any prior notice.